



 **KASSEL**

ECO-FRIENDLY SANITARY PRODUCTS





# INDEX



KASSEL SANITÄR offers efficient solutions for sanitary products: water and energy saving with no impact on user comfort, high quality well designed products. *Kassel cuida de ti, cuida del agua.*

7-14 



 Lavatory Electronic Faucets

15-22 



 Wall Mounted Electronic Faucets

23-28 



 Lavatory Self-closing Faucets

29-36 




 Touch Free Soap Dispensers

38-40 



 Electronic Flush Valves for Urinals

41-43 



 Electronic Flush Valves for Toilets


44-46 



 Self-closing Flush Valves for Urinals and Toilets

47-49 



 Electronic Showers

50 



 Self-Closing Foot Washers

51-52 



 Self-Closing Shower Controls

53-55 



 Complementary Products



KASSEL SANITÄR SL is committed to the environment.

The awareness and importance of water saving and conservation has increased in recent decades. Many countries promote sustainable water consumption and propose measures for rational water use.

KASSEL SANITÄR, aware of these needs, offers efficient solutions for sanitary products: water and energy saving with no impact to user comfort, well designed and high quality products,

Based on infrared sensor technology (Contact Free) or piezoelectric (Touch), Kassel products suit the

needs of industries like health centers, hospitals, hotels, shopping centers, restaurants, airports, gyms and offices, among others. Offering a wide range of solutions for sinks, toilets, urinals and showers, specially designed to accommodate locations where hygiene requirements, savings, convenience and safety are highly important. Kassel also develops products for the residential sector, combining new technologies and providing the user a sense of comfort and elegance without neglecting saving and rational use of water and energy.

All Kassel products are specially designed to help save and conserve our most precious resource: water.



C U I D A   D E   T I ,   C U I D A   D E L   A G U A



## TECHNOLOGY



### TOUCH FREE PRODUCTS

Touch free electronic products are based on infrared sensor technology.

With electronic products, the user is not required to touch the product to operate it. Instead, the sensor recognizes the user's presence in front of it and operates the product accordingly.

Among many, one of the advantages of using electronic faucets, showers or flushing devices is saving water. Electronic faucets save approximately 70% more water compared to regular faucets, and more than 30% compared to time closing faucets.

Over the last decade with society's increasing awareness for personal hygiene and the risk of contamination in public facilities, electronic products are more and more in demand. With Kassel's range of electronic faucets and soap dispensers, the user is not required to touch the faucet or dispenser to turn it on / off. This eliminates a potential source of cross contamination / recontamination from contact with a potentially contaminated handle.

Other main advantages are:

- More resistant to vandalism
- Cost effective
- Easy installation
- Minimizing the risk of legionella



MIRANDA EXTRA ELECTRONIC FAUCET



### SELF CLOSING PRODUCTS OPERATED BY TOUCH

Piezoelectric self closing products are based on the proven piezoelectric technology. They are operated by a simple touch of the user's hands with minimum force required, allowing all users equal comfort when using them.

With an accurate and stable water flow, piezoelectric self closing products offer the possibility to shut off the water when it is no longer needed, using their advanced 'On - Off' function that enables the user to stop the water before the flow cycle is complete.

To provide a higher level of vandal resistance, piezoelectric self closing products incorporate a non-hold-open feature.



ÁMBAR CONTACT



# WHAT IS LEED AND HOW TO MAXIMIZE LEED POINTS



## WHAT IS LEED?

LEED, a third-party design certification tool, is the Leadership in Energy and Environmental Design Green Building Rating System™ developed by the USGBC and is the nationally accepted benchmark for the design, construction and operation of high-performance green buildings. It encourages the global adoption of sustainable green building and development practices through a set of performance criteria in five key areas of human and environmental health: sustainable site development, water and energy efficiency, materials selection and indoor environmental quality. The LEED system covers a number of building institutions – from commercial buildings and universities to single-family and multifamily homes, to schools and hospitals – each with a rating system tailored to the needs of the institution. The LEED program awards cumulative credit points for all aspects of green design, including water conservation and energy efficiency.



## EARNING POINTS & LEVELS OF CERTIFICATION

Kassel's products can be used to help achieve LEED certification. In the water-efficiency category of new construction rating scale, a 20 percent reduction in interior aggregate water consumption is a prerequisite for LEED qualification versus standard fixture requirements. Two LEED points are credited for achieving a 30 percent reduction, an additional point can be earned for a 35 percent reduction and one more for a 40 percent reduction. Based on the number of points earned in the five key areas, LEED provides four levels of certification: Certified, Silver, Gold and Platinum. All certified projects receive a LEED plaque, the nationally recognized symbol demonstrating that a building is environmentally responsible, profitable and a healthy place to live and work.



## PRODUCTS ORIENTED FOR LEED

From faucets and showerheads to aerators, Kassel Sanitär has hundreds of water-efficient products. All of the products are designed to help environmentally conscious developers, property owners, architects and builders conserve water and lower energy costs while contributing toward maximizing LEED points. Kassel Sanitär faucets and flush valves products achieve maximum scores for water conservation and LEED points (credits), we provide water-efficient solutions that maintain the habits of a population without sacrificing design – all while increasing efficiency, performance and reliability.

PRODUCTS	Energy Policy Act of 1992	LEED 2009 Prerequisite	LEED 30% (2 points)	LEED 35% (3 points)	LEED 40% (4 points)	Kassel best Solutions
<b>FLUSH VALVES FOR TOILETS</b>	6	4.80	4.20	3.90	3.60	3.37 Liters per flush (in average) <i>Reduces water usage by 60%</i>
<b>FLUSH VALVES FOR URINALS</b>	3.78	3.02	2.65	2.46	2.27	0.5/ 2 Liters per flush. <i>Reduces water usage by 50%</i>
<b>SHOWER HEADS</b>	8.33	6.66	5.83	5.41	5.00	5 Liters per minute. <i>Reduces water usage by 40%</i>
<b>FAUCETS</b>	8.33	6.66	5.83	5.41	5.00	4 Liters per minute. <i>Reduces water usage by 40%</i>



MIRANDA RECTO SOAP DISPENSER, SEE PAGE 29

# ELECTRONIC FAUCETS





# ELECTRONIC DECK MOUNTED FAUCETS



## MIRANDA RANGE

Electronic lavatory faucets series activated by an infrared sensor. Available with a 9V battery box or 9V transformer.

FEATURE	MODELS
One inlet - cold or premixed water	Miranda, Miranda Extra
Two inlets - hot & cold water	Miranda Dúo, Miranda Dúo Extra, Miranda Dúo Light
Tall body for counter top basins	Miranda Extra, Miranda Dúo Extra
LED ring illumination <i>* Available in transformer versions only</i>	Miranda Light, Miranda Dúo Light

**MIRANDA**  
KSL00010

**MIRANDA DÚO**  
KSL00020

**MIRANDA EXTRA**  
KSL00030

**MIRANDA LIGHT**  
KSL00050

**MIRANDA DÚO LIGHT**  
KSL00060

**MIRANDA DÚO EXTRA**  
KSL00040

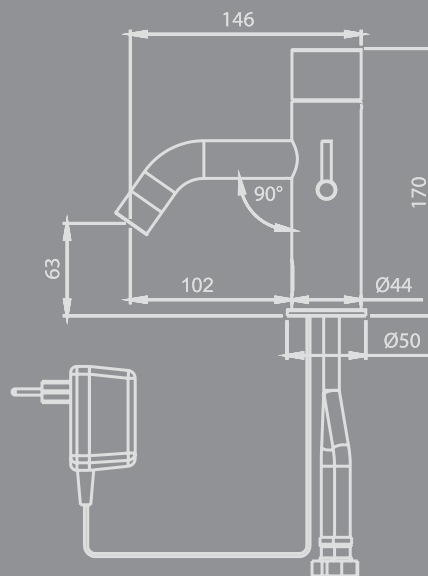




MIRANDA DOMUS  
KSL00070

Electronic lavatory faucet activated by an infrared sensor. With mixer to adjust the temperature. Includes LED ring illumination and alternative touch operation.

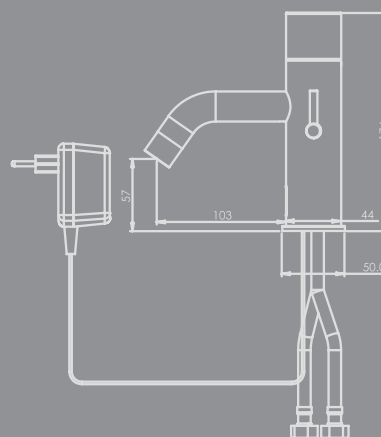
**\*Available in transformer versions only.**



MIRANDA PALLET  
KSL00080

Electronic lavatory faucet activated by an infrared sensor. With mixer to adjust the temperature. Includes LED ring illumination and alternative touch operation. Includes a temperature sensor that measures the temperature coming out of the faucet spout. The measured temperature is then indicated in the illuminated ring, in a gradual transition of colors from blue to red that intuitively indicates the real water temperature.

**\*Available in transformer versions only.**



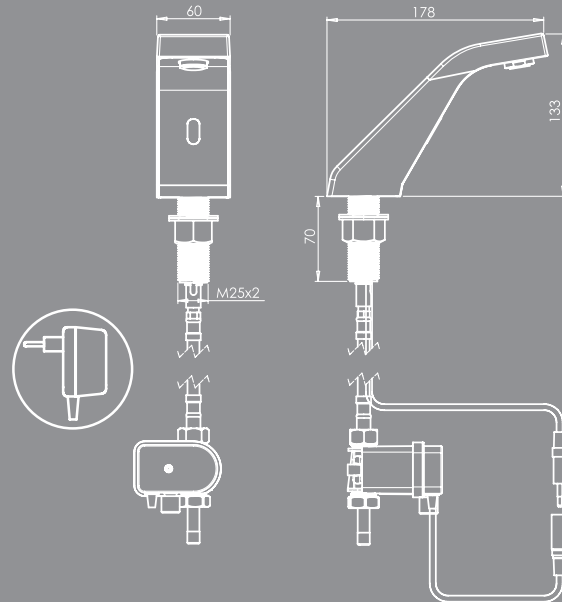


## ELECTRONIC DECK MOUNTED FAUCETS



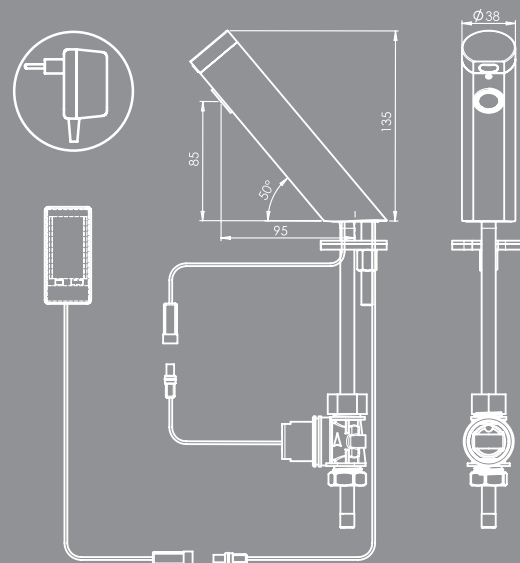
**ALCOY**  
KSL00155

Electronic lavatory faucet activated by an infrared sensor for cold or premixed water. With a dual power input box that allows operation with a 9V battery box or a 9V transformer. Includes an integrated back up system to be used with a 9V Lithium battery.



**NUEVA**  
KSL00120

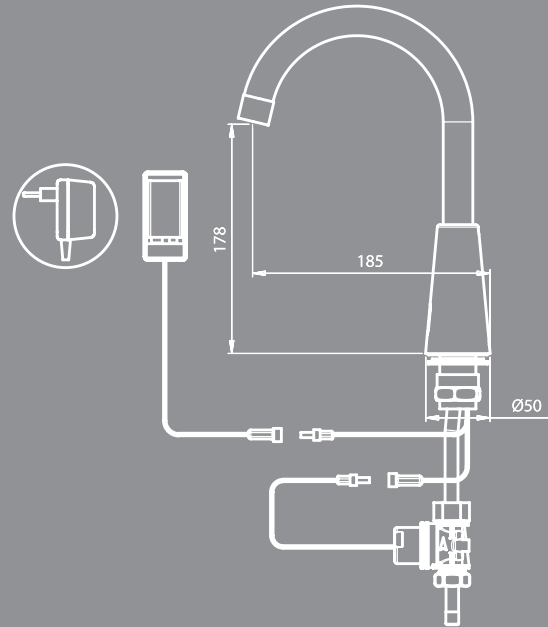
Electronic lavatory faucet activated by an infrared sensor for cold or premixed water. Available with a 9V battery box or 9V transformer.





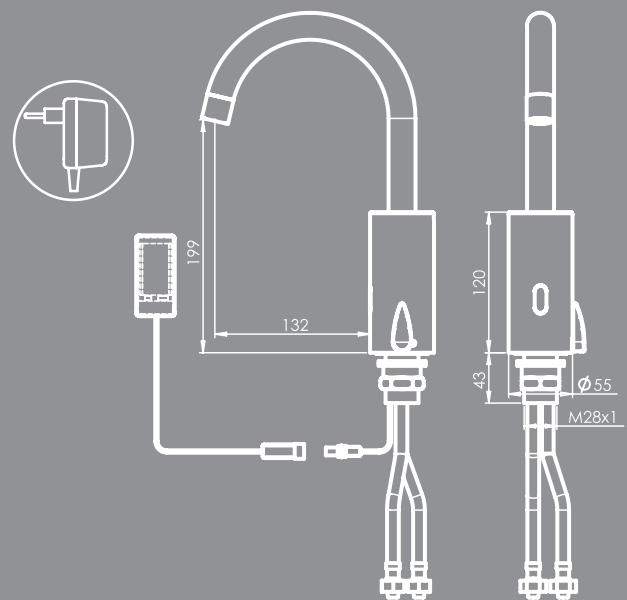
**ESTELLA**  
KSL00130

Electronic lavatory faucet activated by an infrared sensor for cold or premixed water. Available with a 9V battery box or 9V transformer.



**ESTELLA DÚO**  
KSL00140

Electronic lavatory faucet activated by an infrared sensor with mixer to adjust the temperature. Available with a 9V battery box or 9V transformer.

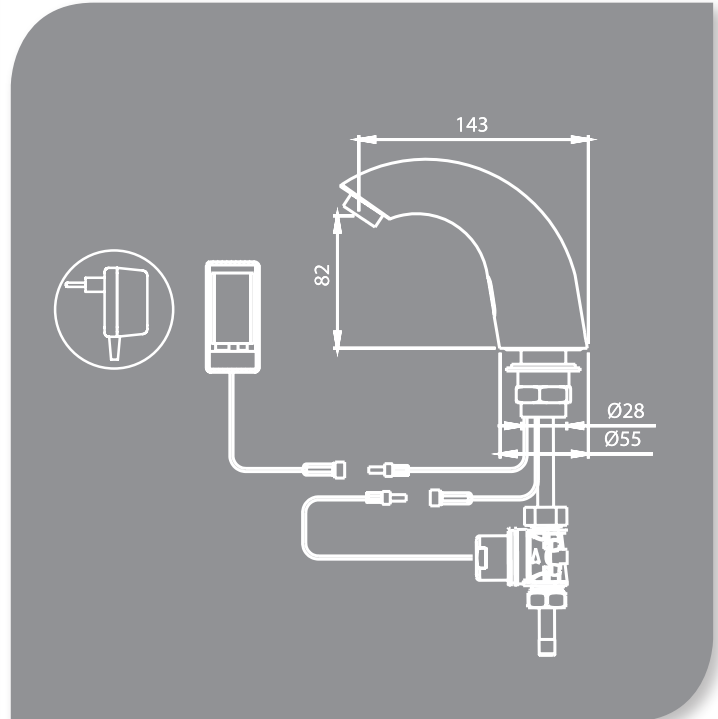




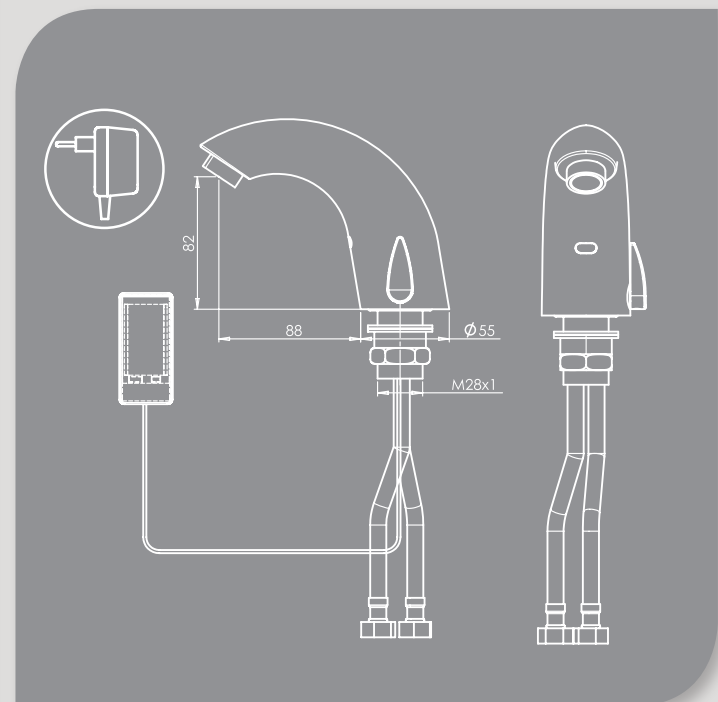
## ELECTRONIC DECK MOUNTED FAUCETS



Electronic lavatory faucet activated by an infrared sensor for cold or premixed water. Available with a 9V battery box or 9V transformer.



Electronic lavatory faucet activated by an infrared sensor with mixer to adjust the temperature. Available with a 9V battery box or 9V transformer.

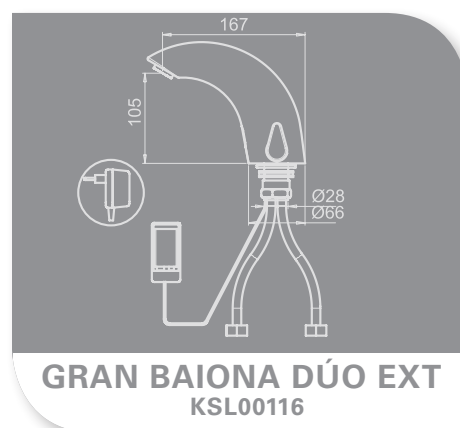
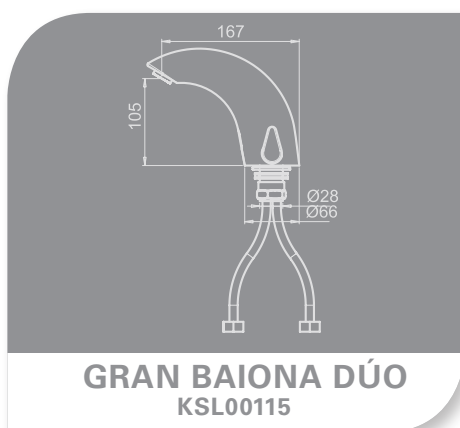
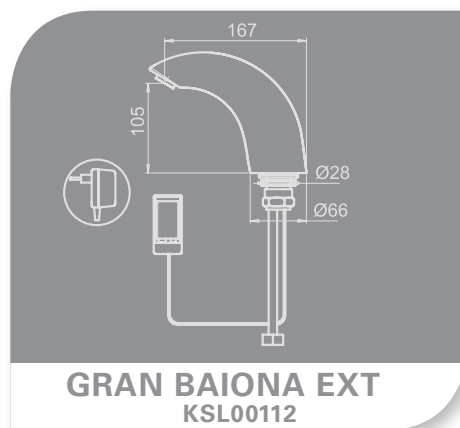
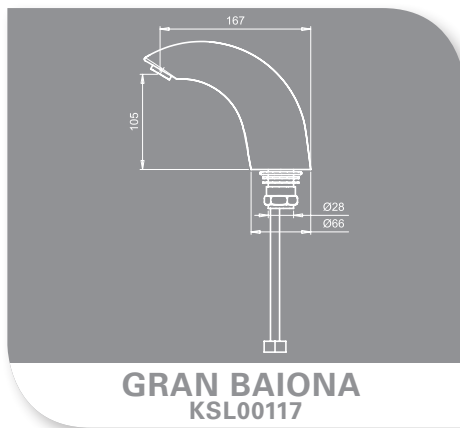




## THE GRAN BAIONA RANGE

Electronic lavatory faucet activated by an infrared sensor.

FEATURE	MODELS
One inlet - cold or premixed water	Gran Baiona, Gran Baiona Ext
Two inlets - hot & cold water	Gran Baiona Dúo, Gran Baiona Dúo Ext
Internal 9V Lithium battery	Gran Baiona, Gran Baiona Dúo
External 9V battery / 9V transformer	Gran Baiona Ext, Gran Baiona Dúo Ext





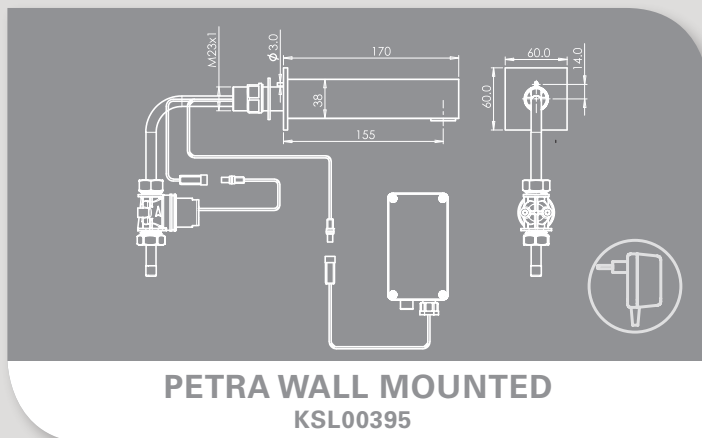
# ELECTRONIC WALL MOUNTED FAUCETS



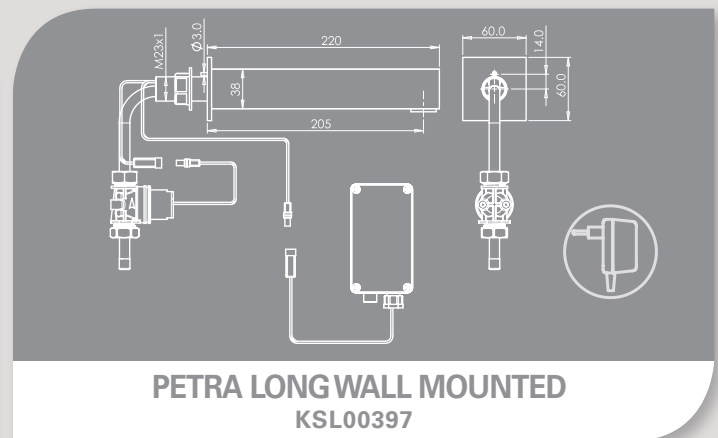
## THE PETRA RANGE

Electronic wall mounted faucet activated by an infrared sensor. Available with an IP67 battery box or 9V transformer.

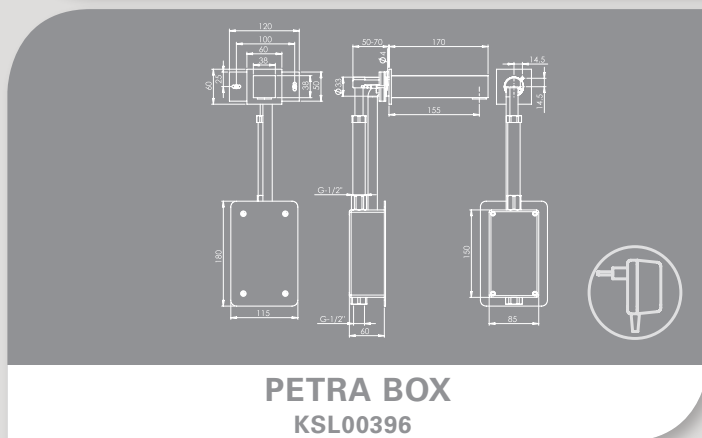
FEATURE	MODELS
One inlet - cold or premixed water	Petra wall mounted, Petra box, Petra long wall mounted, Petra long box
Long spout 220mm	Petra long wall mounted, Petra long box
Plaster wall installation	Petra wall mounted, Petra long wall mounted
Brick wall installation	Petra box, Petra long box



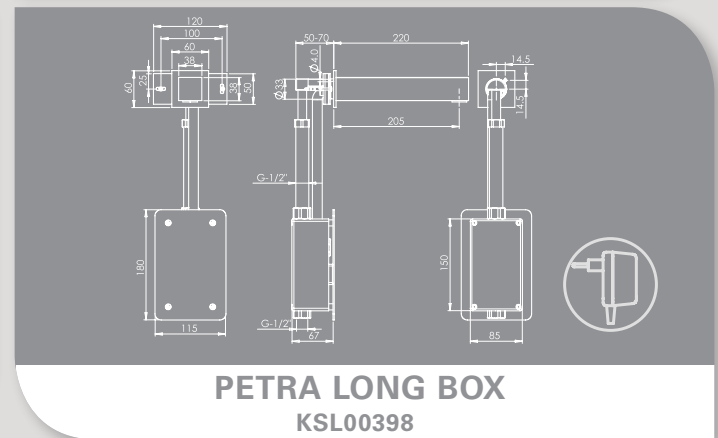
**PETRA WALL MOUNTED**  
KSL00395



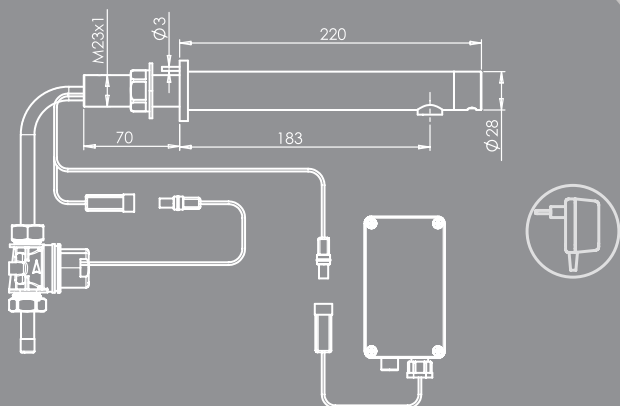
**PETRA LONG WALL MOUNTED**  
KSL00397



**PETRA BOX**  
KSL00396



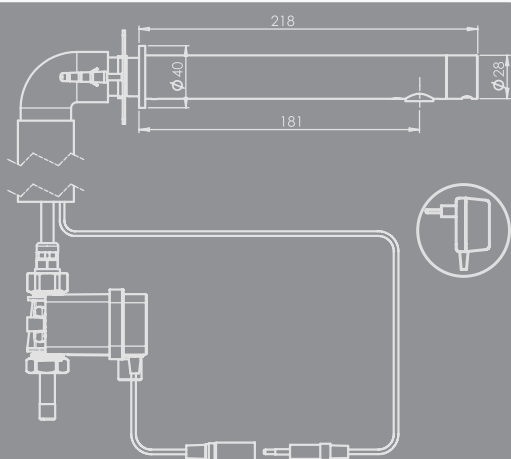
**PETRA LONG BOX**  
KSL00398



Electronic wall mounted faucet activated by an infrared sensor for cold or premixed water. For plaster wall installation. Available with an IP67 battery box or 9V transformer.



**MORELLA WALL MOUNTED**  
KSL00380



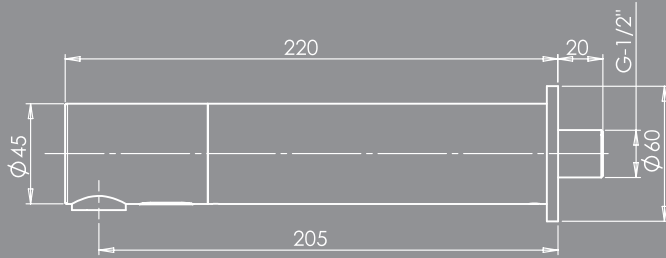
Electronic wall mounted faucet activated by an infrared sensor for cold or premixed water. For brick wall installation. With a dual power input box that allows operation with a 9V battery box or a 9V transformer. Includes an integrated back up system to be used with a 9V Lithium battery.



**MORELLA**  
KSL00390



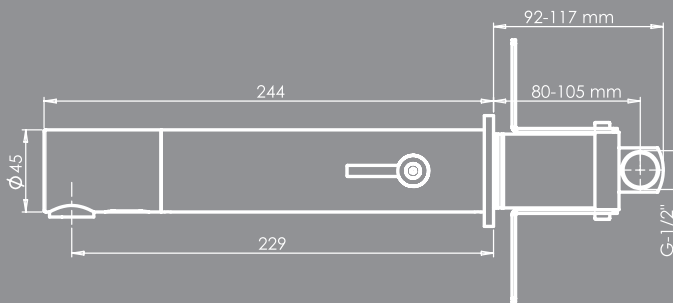
## ELECTRONIC WALL MOUNTED FAUCETS



Electronic wall mounted faucet activated by an infrared sensor for cold or premixed water. Internal components including a 9V battery. Exposed installation.



**RONDA**  
KSL00360

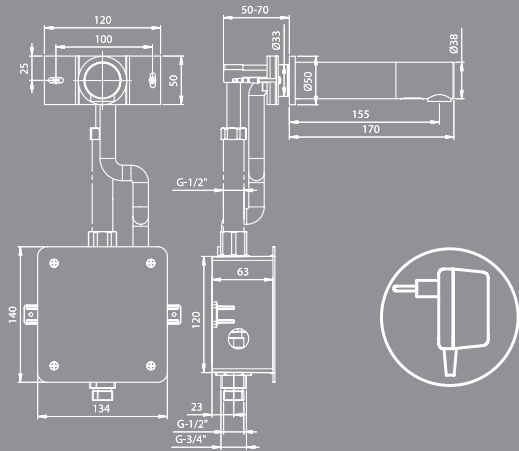


Electronic wall mounted faucet activated by an infrared sensor with mixer to adjust the temperature. Internal components including a 9V battery. Exposed installation.



**RONDA DÚO**  
KSL00370

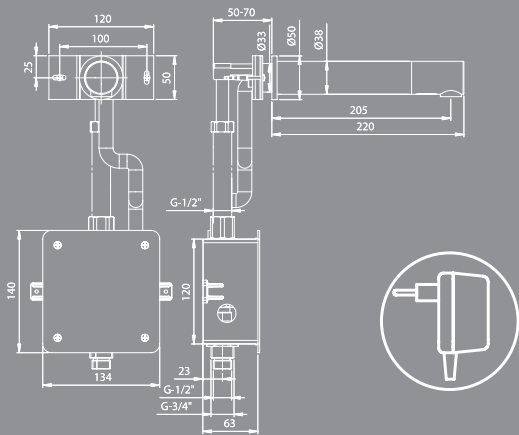




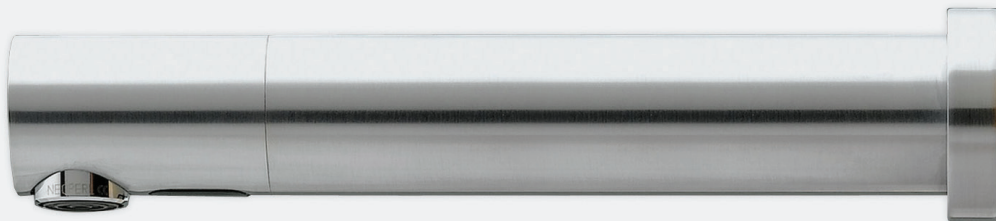
Electronic wall mounted faucet activated by an infrared sensor for cold or premixed water. For brick wall installation. Available with a 9V battery or 9V transformer.



**RONDA BOX**  
KSL00180



Electronic wall mounted faucet activated by an infrared sensor for cold or premixed water. For brick wall installation. With a long 220mm spout. Available with a 9V battery or 9V transformer.



**RONDA LONG BOX**  
KSL00170



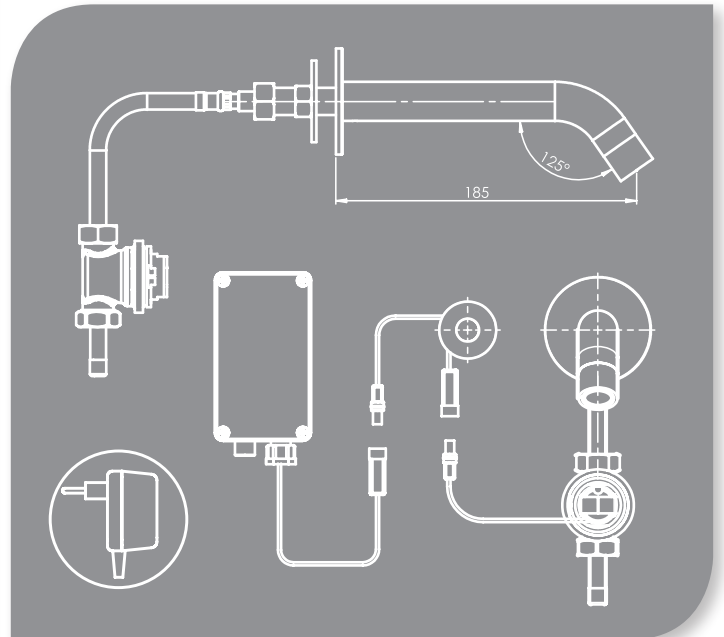
## ELECTRONIC WALL MOUNTED FAUCETS



MIRANDA WALL MOUNTED  
KSL00330

Electronic wall mounted faucet activated by a proximity infrared sensor. For cold or premixed water, plaster wall installation. Available with a 6\*1.5V battery box or a 9V transformer.

**\*Wave on-off sensor available upon request**

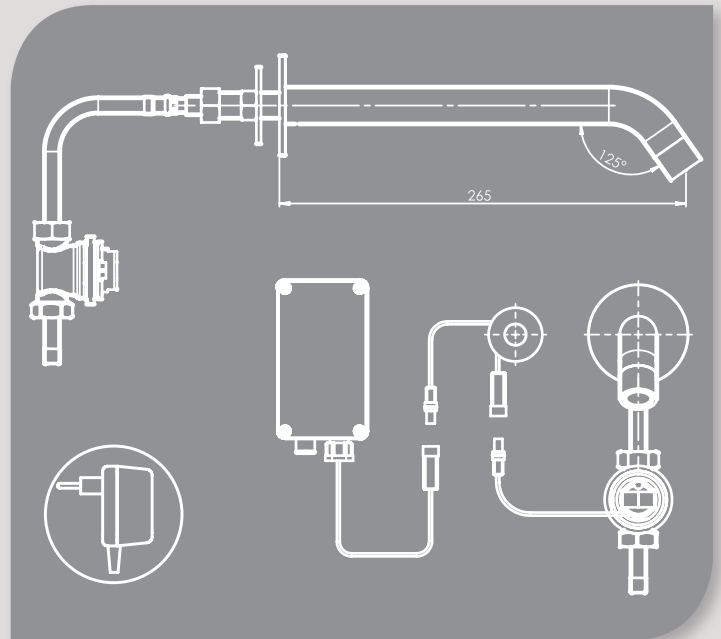




**MIRANDA LONG WALL MOUNTED**  
KSL00340

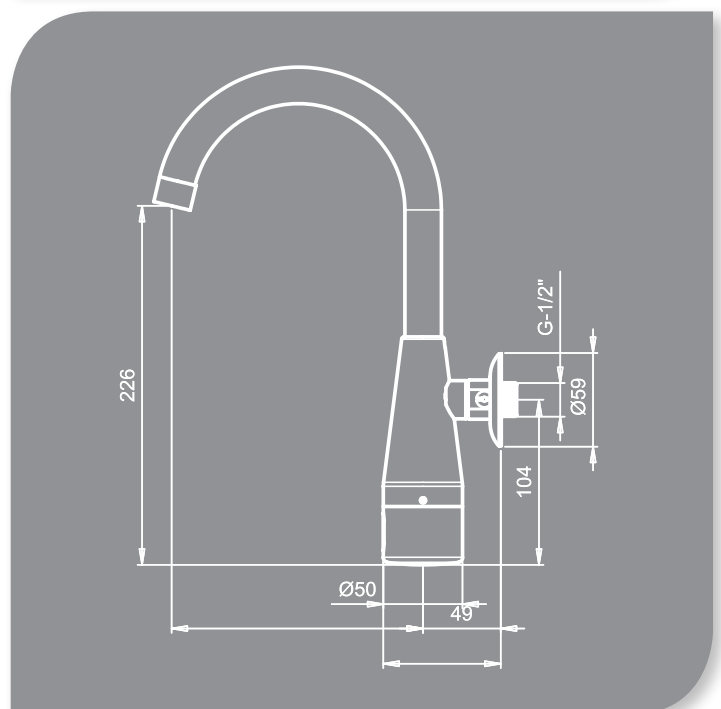
Electronic wall mounted faucet activated by a proximity infrared sensor for cold or premixed water. For plaster wall installation. With a long 265mm spout. Available with a 6\*1.5 V battery box or 9V transformer.

**\*Wave on-off sensor available upon request**



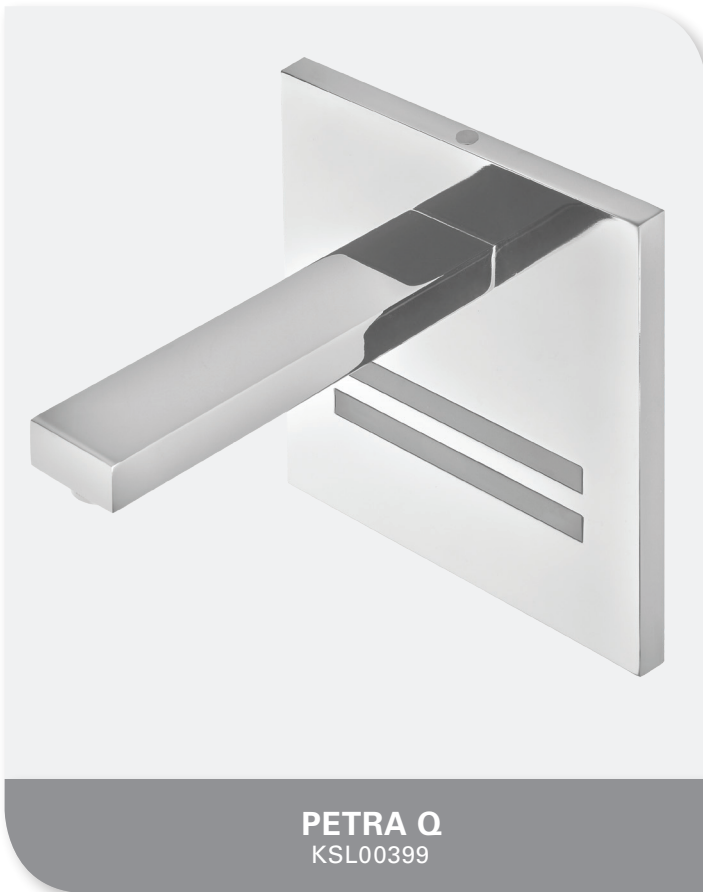
**GUARDA**  
KSL00310

Electronic wall mounted faucet activated by an infrared sensor for cold or premixed water. Exposed installation, internal 9V battery.



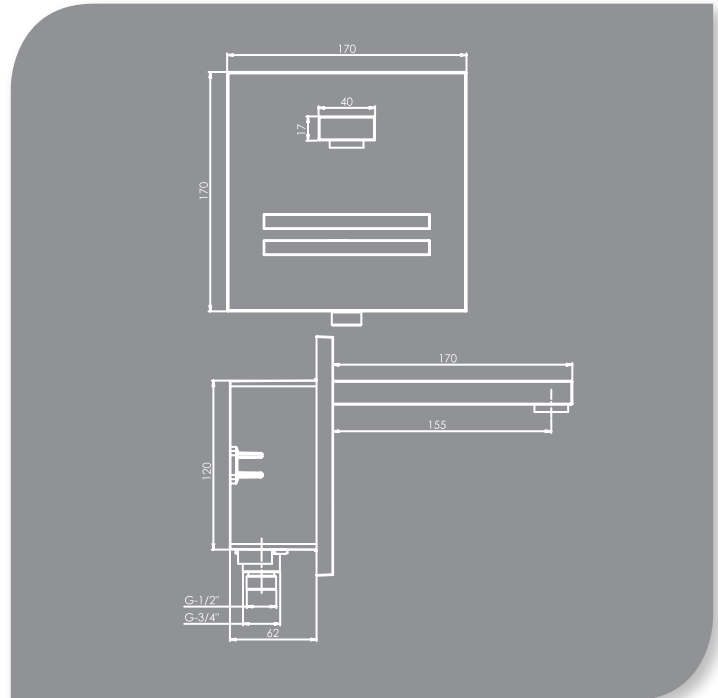


## ELECTRONIC WALL MOUNTED FAUCETS



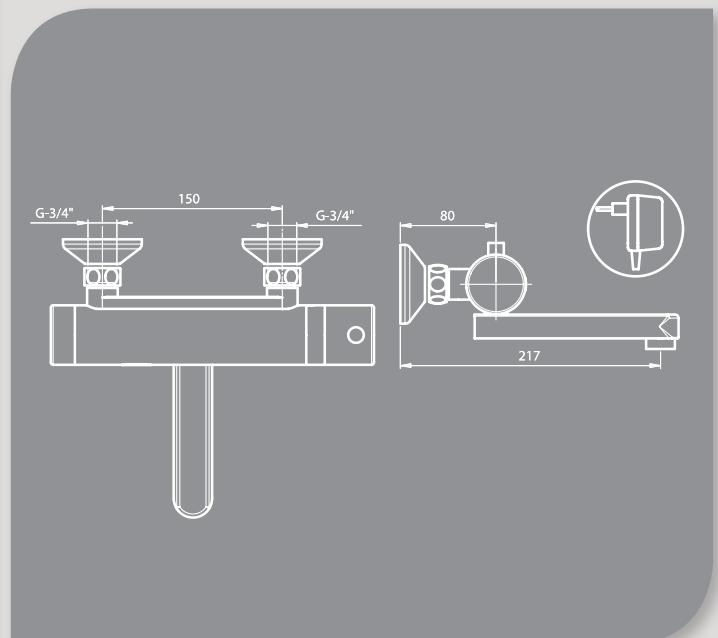
**PETRA Q**  
KSL00399

Electronic wall mounted faucet activated by an infrared sensor for cold or premixed water. For brick wall installation. Internal 9V battery.



**THERMA**  
KSL00350

Electronic thermostatic wall mounted faucet activated by an infrared sensor with mixer to adjust the temperature and a swivel spout. Quick response to temperature variations. Thermostop at 38° C. Available with an internal 9V battery or 9V transformer.



SELF CLOSING FAUCETS  
OPERATED BY TOUCH



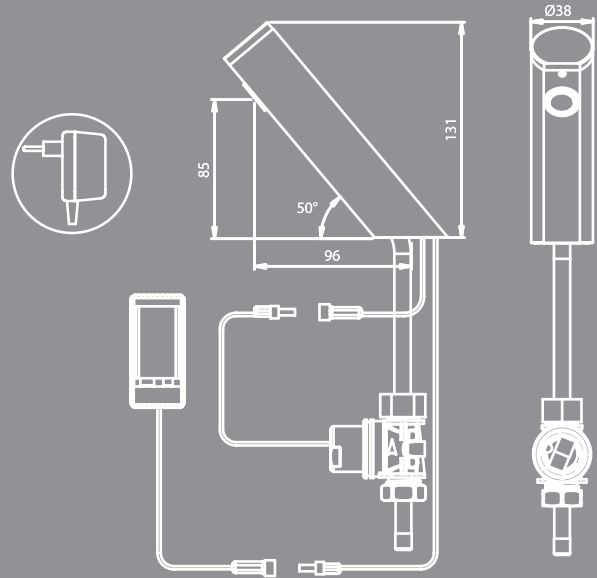


# SELF CLOSING FAUCETS OPERATED BY TOUCH



**NUEVA CONTACT**  
KSL00210

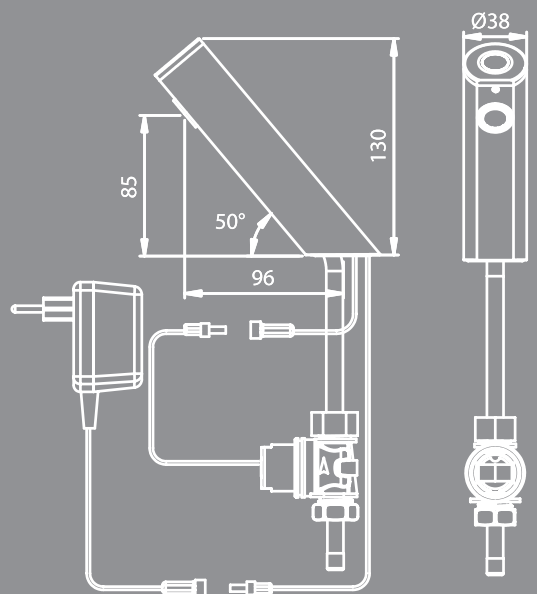
Electronic self closing faucet activated by touch piezoelectric technology. Available with a 9V battery or a 9V transformer.



**NUEVA CONTACT LIGHT**  
KSL00215

Electronic self closing faucet with LED ring illumination. Activated by touch piezoelectric technology.

**\* Available in transformer versions only.**

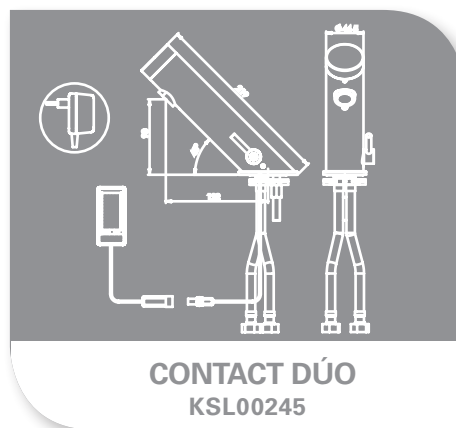
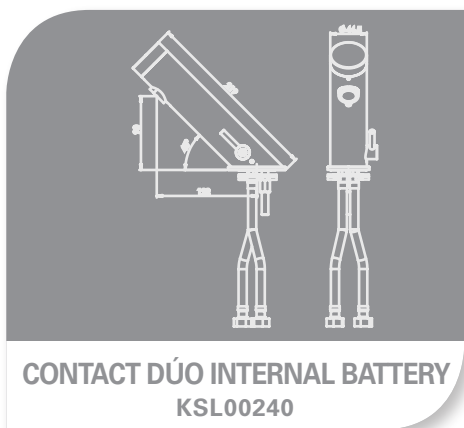
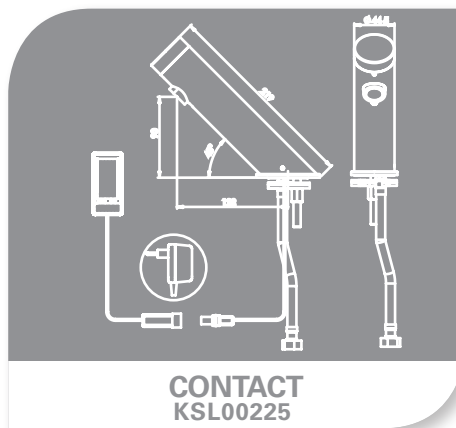
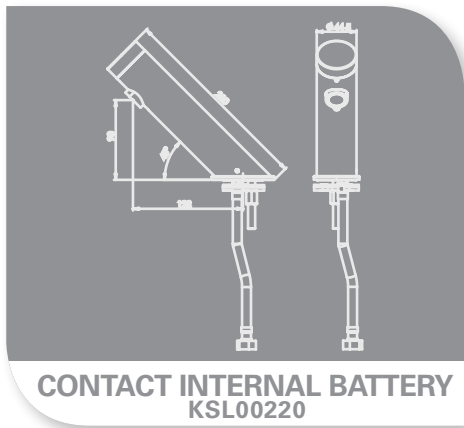




## CONTACT RANGE

Electronic self closing faucet activated by touch piezoelectric technology.

FEATURE	MODELS
One inlet - cold or premixed water	Contact internal battery, Contact
Two inlets - hot & cold water	Contact dúo internal battery, Contact dúo
Internal 9V Lithium battery	Contact internal battery, Contact dúo internal battery
External 9V battery / 9V transformer	Contact, Contact dúo





# SELF CLOSING FAUCETS OPERATED BY TOUCH



## THE MIRANDA CONTACT RANGE

Electronic self closing faucet activated by touch piezoelectric technology. Available with a 9V battery or a 9V transformer.

### FEATURE

### MODELS

One inlet - cold or premixed water

Miranda contact, Miranda contact extra

Two inlets - hot & cold water

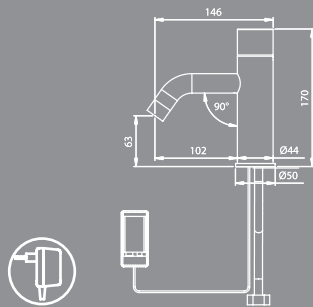
Miranda contact dúo, Miranda contact extra dúo long

Long spout 220mm

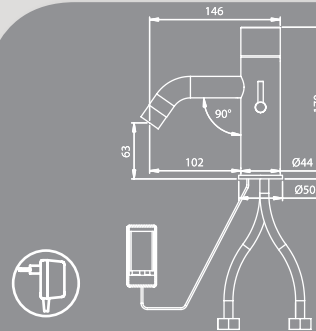
Miranda contact extra dúo long

Tall body 365mm

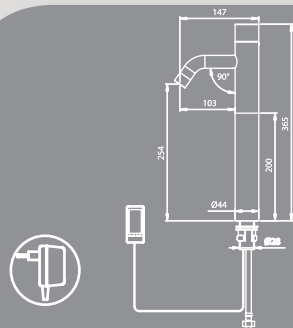
Miranda contact extra, Miranda contact extra dúo long



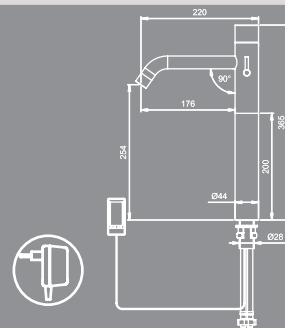
**MIRANDA CONTACT**  
KSL00250



**MIRANDA CONTACT DÚO**  
KSL00260



**MIRANDA CONTACT EXTRA**  
KSL00270



**MIRANDA CONTACT EXTRA DÚO LONG**  
KSL00285

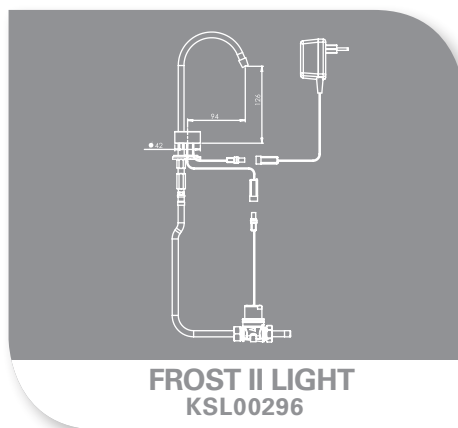
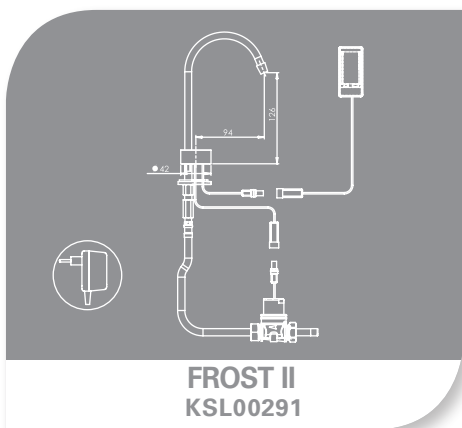
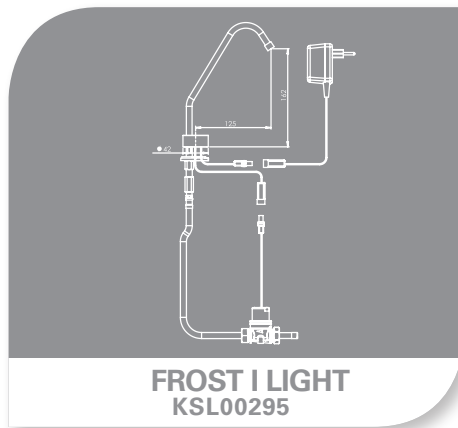
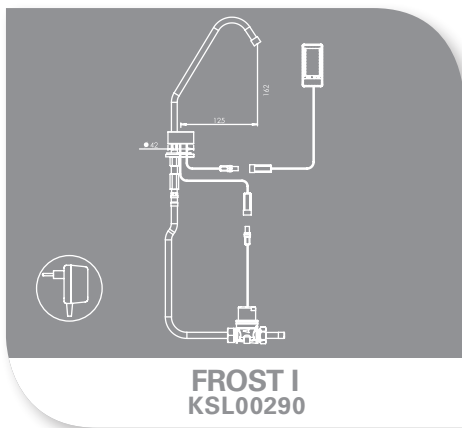


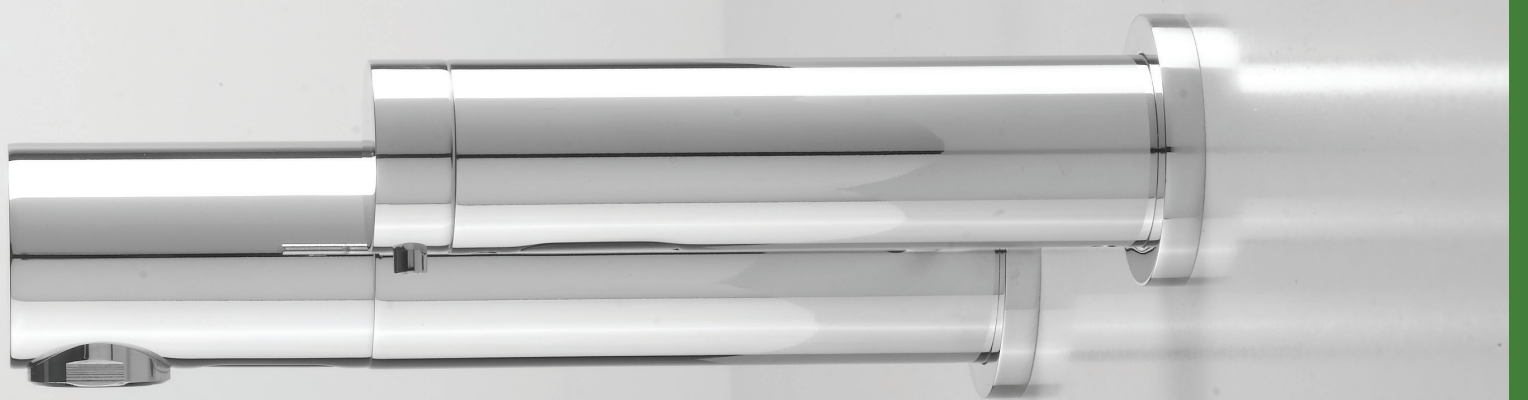


## THE FROST RANGE

Electronic self closing bottle filler faucet.  
Activated by touch piezoelectric technology.  
Available with a 9V battery or a 9V transformer.

FEATURE	MODELS
Long reach spout	Frost I
Goose neck spout	Frost II
LED Ring illuminated <b>*Available in transformer version only.</b>	Frost I Light, Frost II Light





## ELECTRONIC SOAP DISPENSERS



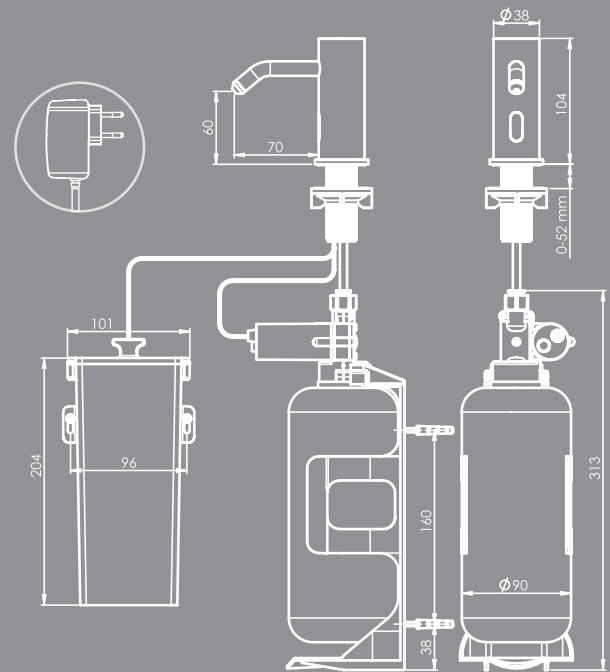


## ELECTRONIC DECK MOUNTED SOAP DISPENSERS



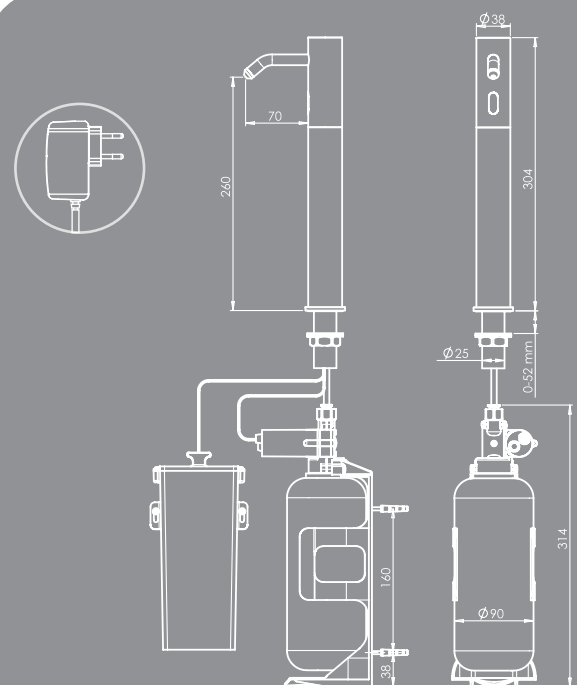
**MIRANDA SOAP DISPENSER**  
KSL00910

Electronic touch free soap dispenser. Available with a 6xD battery box or a 12V transformer.



**MIRANDA EXTRA SOAP DISPENSER**  
KSL00911

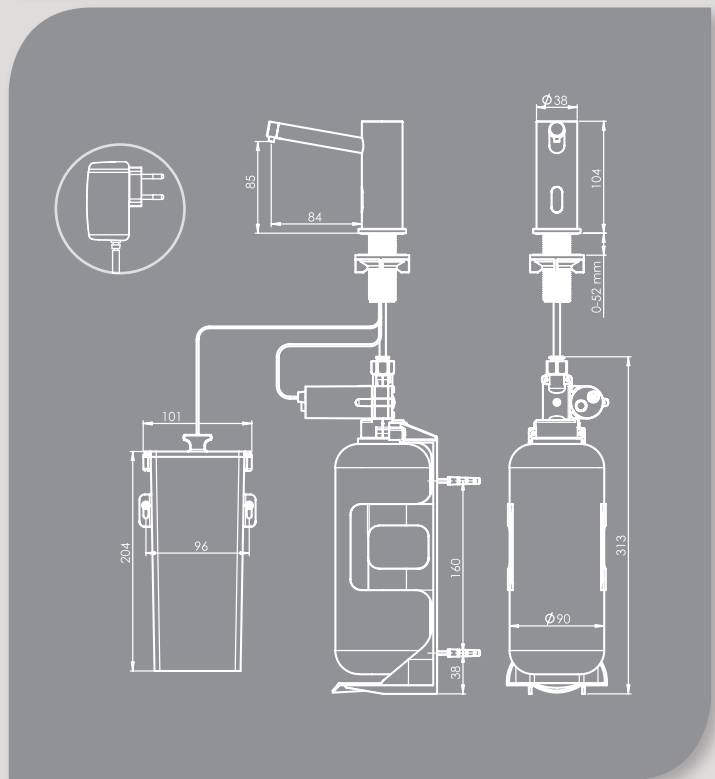
Electronic touch free soap dispenser. Tall body for counter top sinks. Available with a 6xD battery box or a 12V transformer.





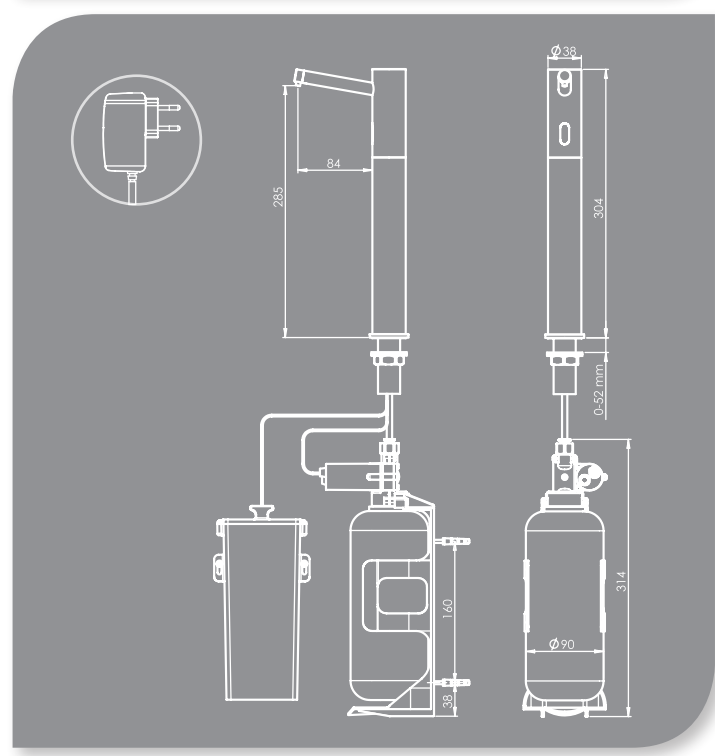
**MIRANDA RECTO SOAP DISPENSER**  
KSL00920

Electronic touch free soap dispenser. Available with a 6xD battery box or a 12V transformer.



**MIRANDA RECTO EXTRA SOAP DISPENSER**  
KSL00980

Electronic touch free soap dispenser. Tall body for counter top sinks. Available with a 6xD battery box or a 12V transformer.



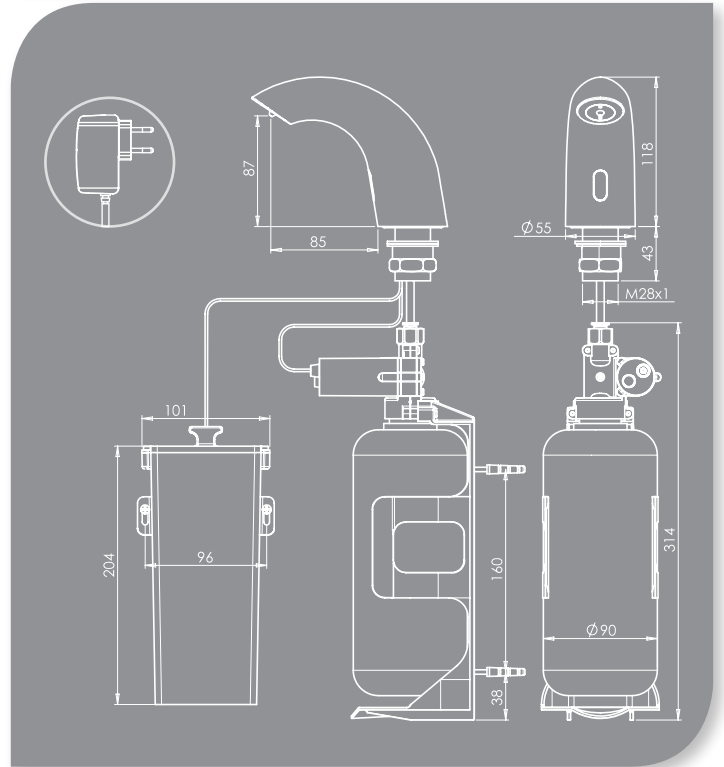


# ELECTRONIC WALL MOUNTED SOAP DISPENSERS



**BAIONA SOAP DISPENSER**  
KSL00925

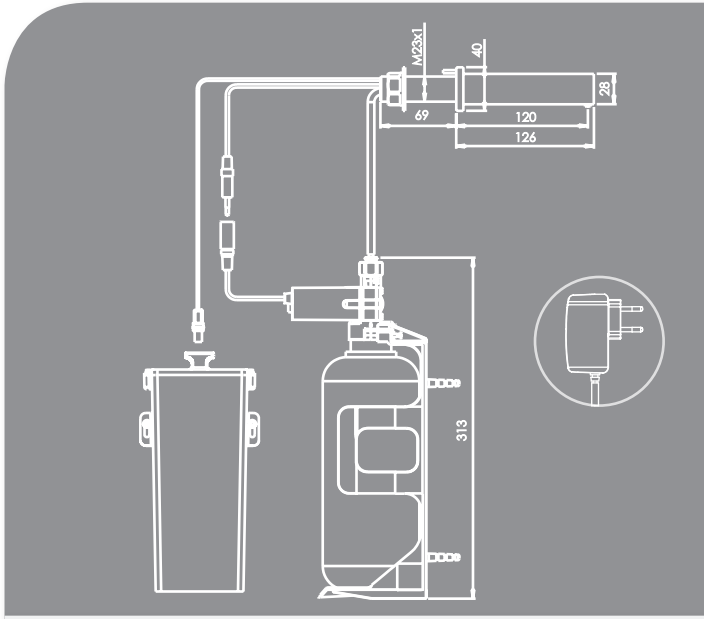
Electronic touch free soap dispenser. Available with a 6xD battery box or a 12V transformer.



**BAIONA SOAP DISPENSER & GRAN BAIONA ELECTRONIC FAUCET, SEE PAGE 13**

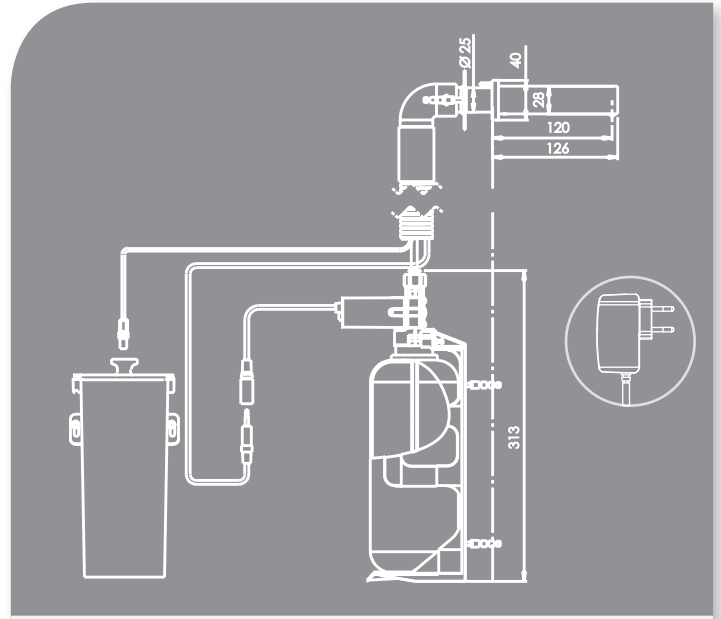


Electronic touch free soap dispenser for plaster wall installations. Available with a 6xD battery box or a 12V transformer.



**PETRA WALL MOUNTED SOAP DISPENSER**  
KSL00940

Electronic touch free soap dispenser for brick wall installations. Available with a 6xD battery box or a 12V transformer.

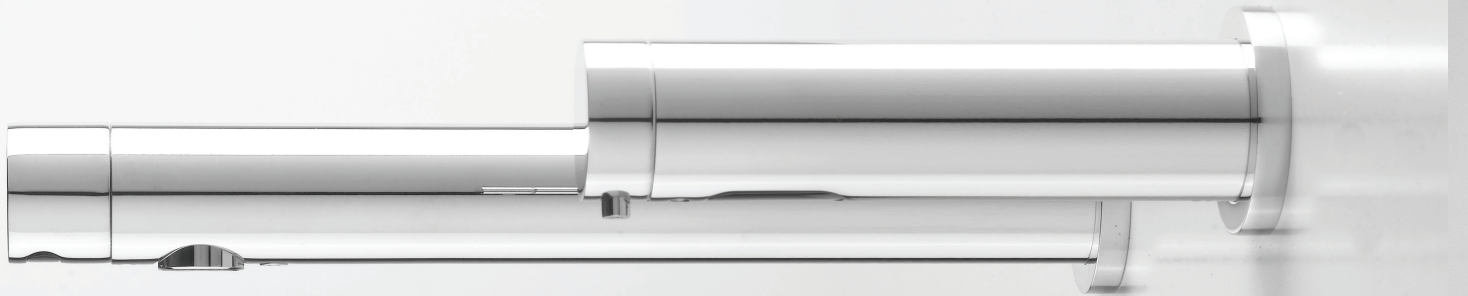


**PETRA SOAP DISPENSER**  
KSL00945



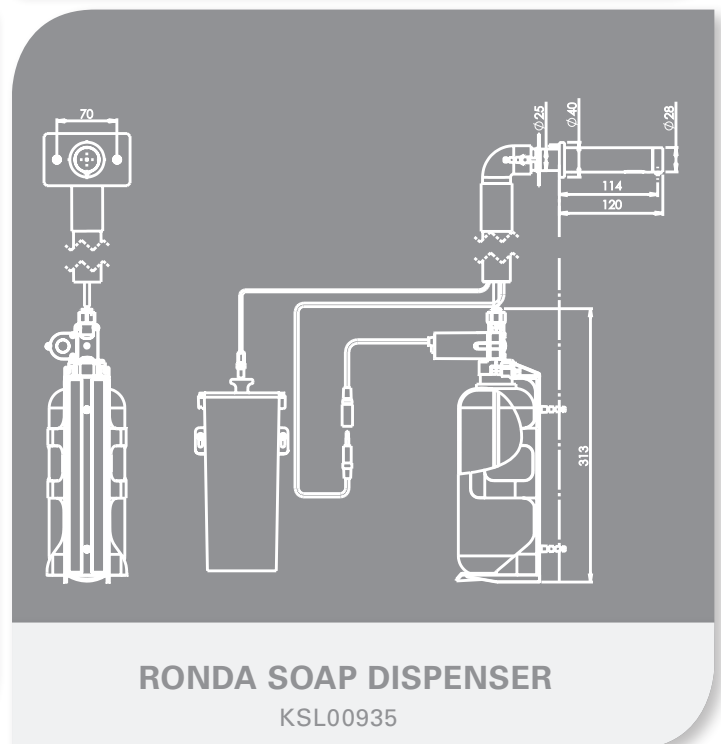
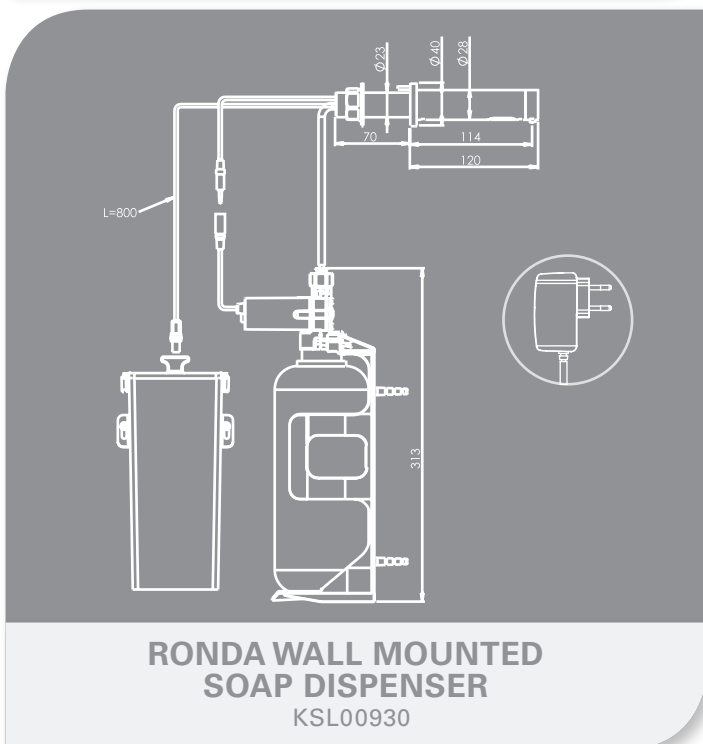


# ELECTRONIC WALL MOUNTED SOAP DISPENSERS



Electronic touch free soap dispenser for plaster wall installations. Available with a 6xD battery box or a 12V transformer.

Electronic touch free soap dispenser for brick wall installations. Available with a 6xD battery box or a 12V transformer.

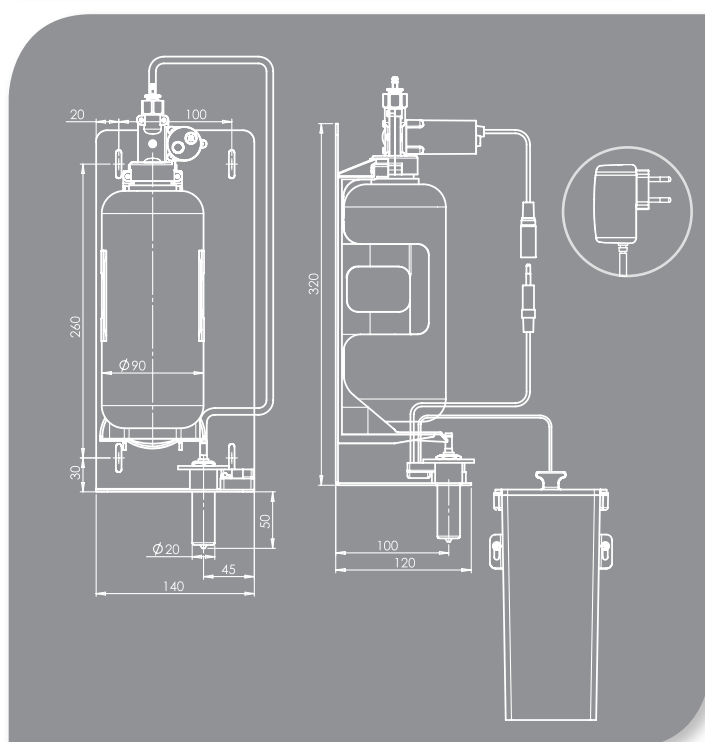






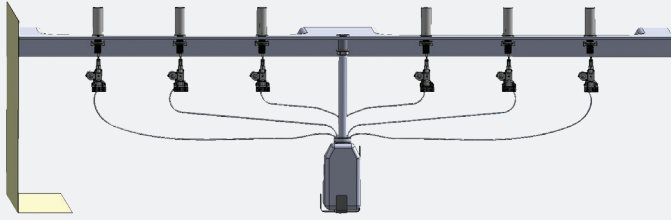
**ESPEJO SOAP DISPENSER**  
KSL00970

Electronic touch free soap dispenser for installations behind the mirror. Available with a 6xD battery box or a 12V transformer.



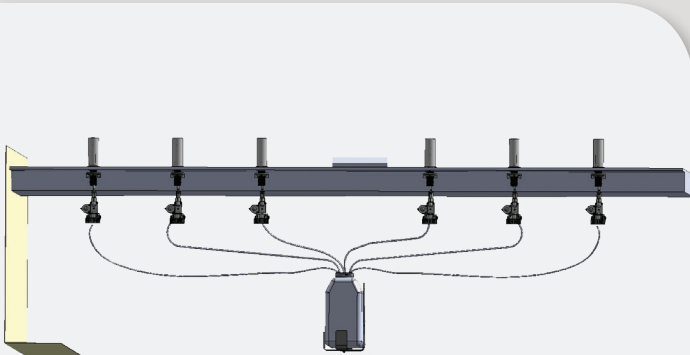
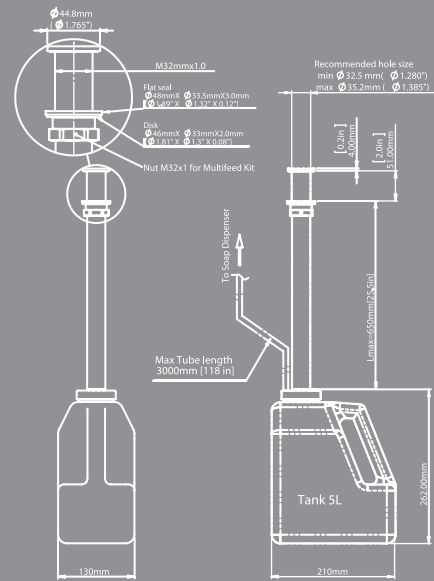
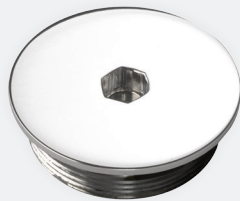


# PROFESSIONAL TOP FILLING SYSTEM



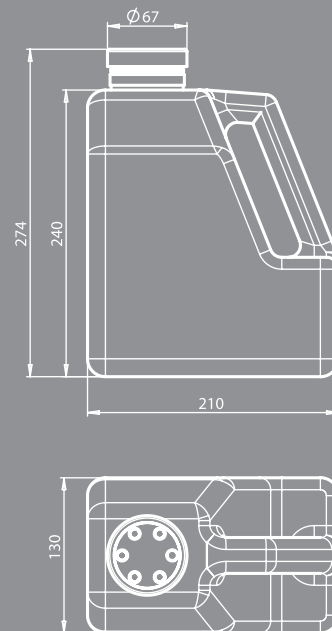
**PROFESSIONAL TOP FILL SYSTEM**  
KSL02210

The system is used to connect up to 6 soap dispensers simultaneously and includes a mechanism to allow filling the 5 liters soap tank from the top of the deck or counter. With vandal resistant cover and top filling button. Matching soap dispensers available in transformer versions only.



**PROFESSIONAL SYSTEM**  
KSL02230

The system is used to connect up to 6 soap dispensers simultaneously. Filling the 5 liters soap tank is done under the sink. Matching soap dispensers available in transformer versions only.



## ELECTRONIC FLUSH VALVES



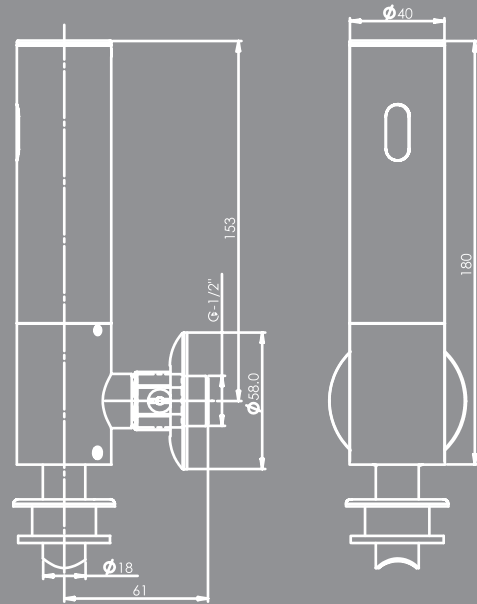


# ELECTRONIC FLUSH VALVES FOR URINAL



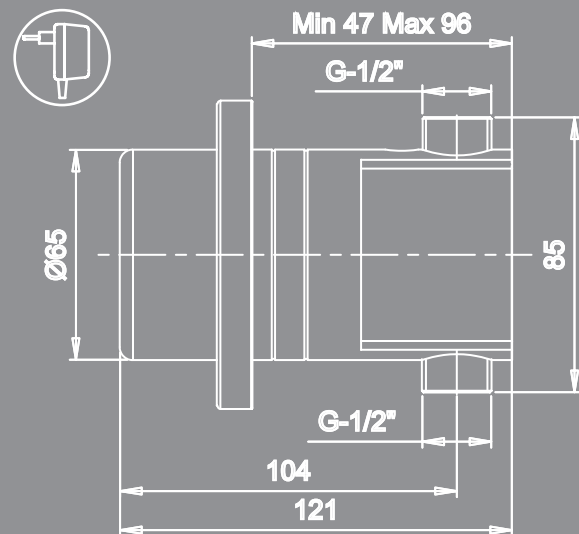
**ALFARO VISTO**  
KSL00400

Exposed electronic infrared flush valve for urinal. Includes an internal 9V battery, shut off valve and wall flange.



**ARONA**  
KSL00410

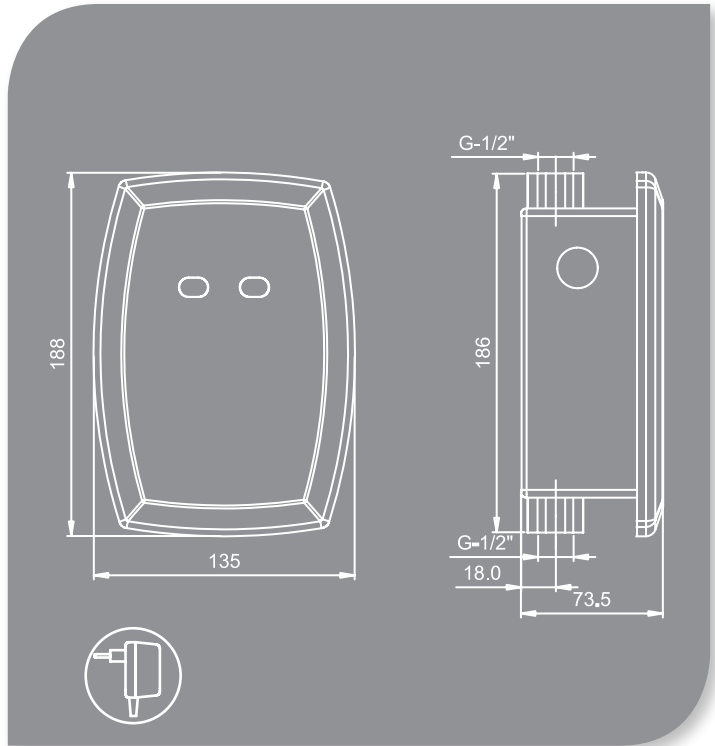
Electronic infrared flush valve for urinal for semi recessed installation. Available with an internal 9V battery or a 9V transformer.





**ALFARO I**  
KSL00420

Electronic infrared flush valve for urinal for brick wall installation. Available with an internal 9V battery or a 9V transformer.



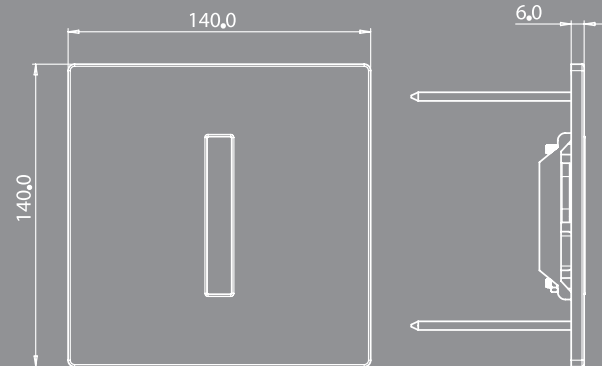


## ELECTRONIC DECK MOUNTED FAUCETS



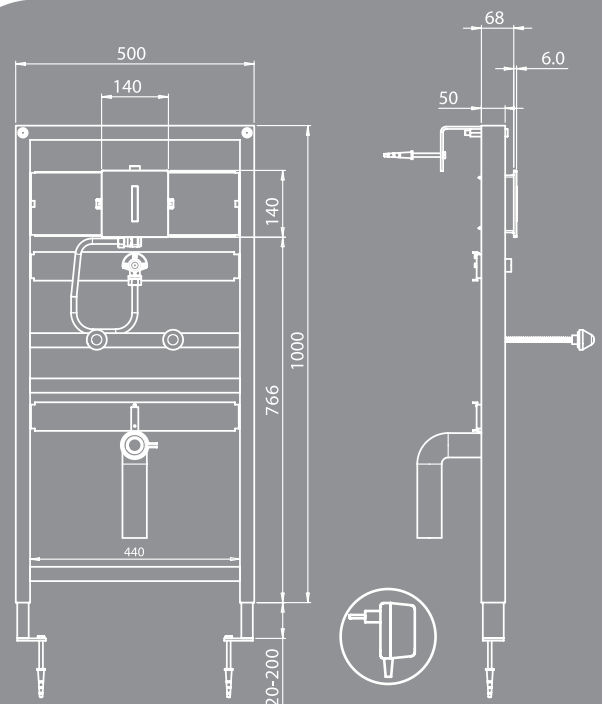
**ALFARO II**  
KSL00435

Electronic infrared flush valve for urinal for recessed installation. Available with an internal 9V battery or a 9V transformer.



**ALFARO II WITH IRON FRAME**  
KSL00436

Electronic infrared flush valve for urinal with iron frame for recessed installation. Available with an internal 9V battery or a 9V transformer.

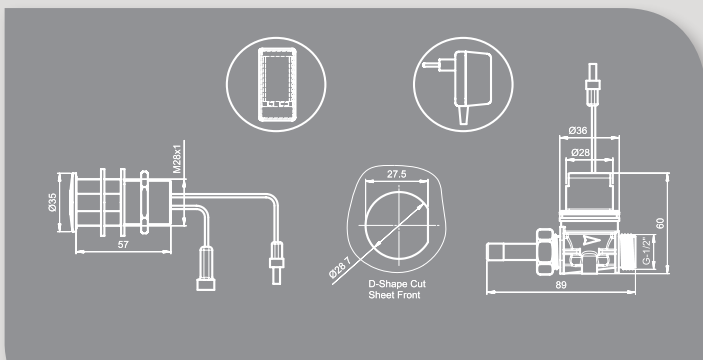




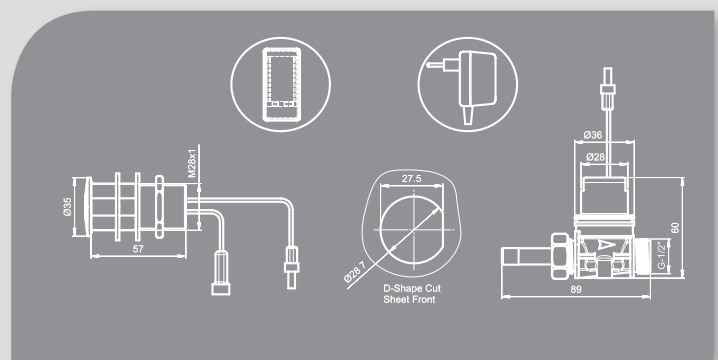
## SENSOR KITS FOR URINAL

Electronic infrared sensor kits for urinal, available with a 9V battery box or a 9V transformer.

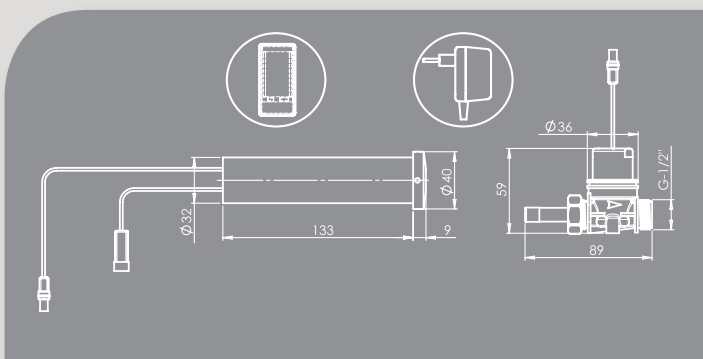
FEATURE	MODELS
Wave on-off sensor	Show sensor kit, Show sensor kit front fixation
Proximity sensor	Sense sensor kit, Sense sensor kit front fixation
Recessed	Show sensor kit, Sense sensor kit
Front Fixation	Show sensor kit front fixation, Sense sensor kit front fixation



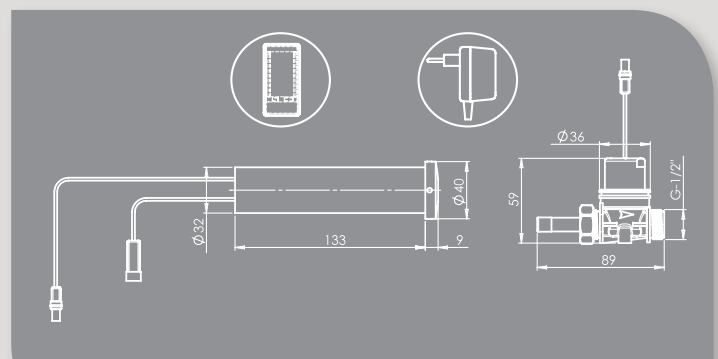
**SHOW SENSOR KIT**  
KSL00440



**SENSE SENSOR KIT**  
KSL00460



**SHOW SENSOR KIT FRONT FIXATION**  
KSL00450



**SENSE SENSOR KIT FRONT FIXATION**  
KSL00470

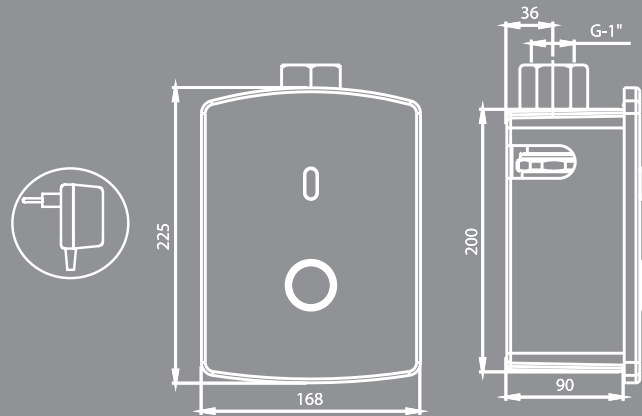


## ELECTRONIC FLUSH VALVES FOR TOILETS



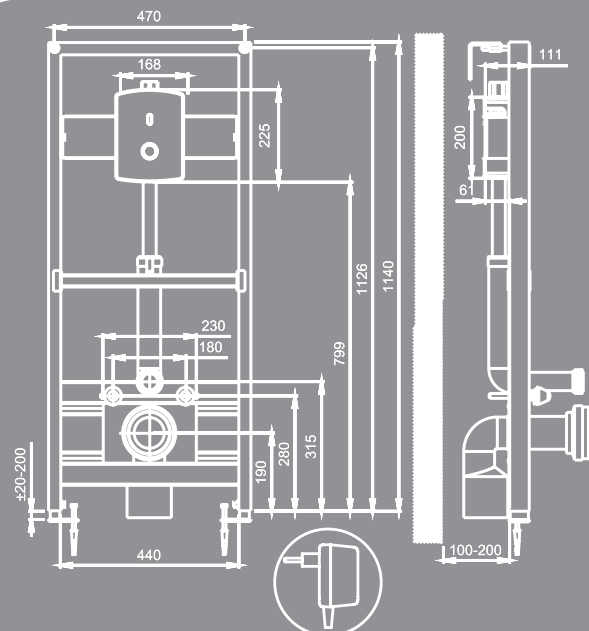
**JEREZ**  
KSL00510

Electronic infrared flush valve for toilet, for brick wall installation. Optional automatic dual flush sensor. Includes a mechanical push button for alternative operation. Available with an internal 9V battery or a 9V transformer.



**JEREZ WITH IRON FRAME**  
KSL00520

Electronic infrared flush valve for toilet, for brick wall installation with iron frame. Optional automatic dual flush sensor. Includes a mechanical push button for alternative operation. Available with an internal 9V battery or a 9V transformer.



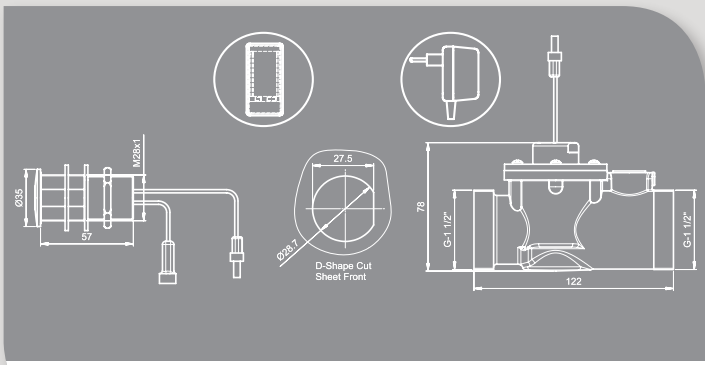




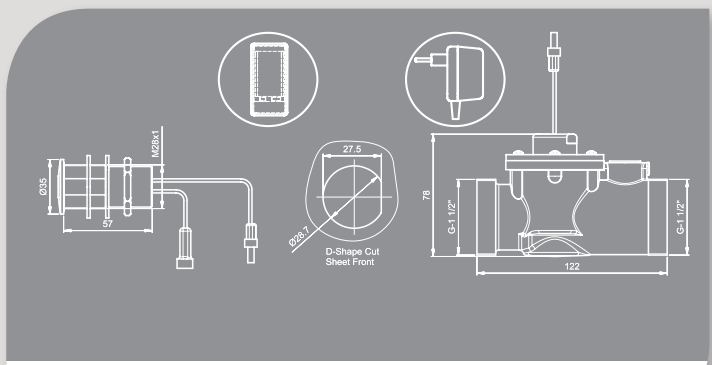
**SENSOR KITS FOR TOILET**

Electronic infrared sensor kits for toilet, available with a 9V battery box or a 9V transformer.

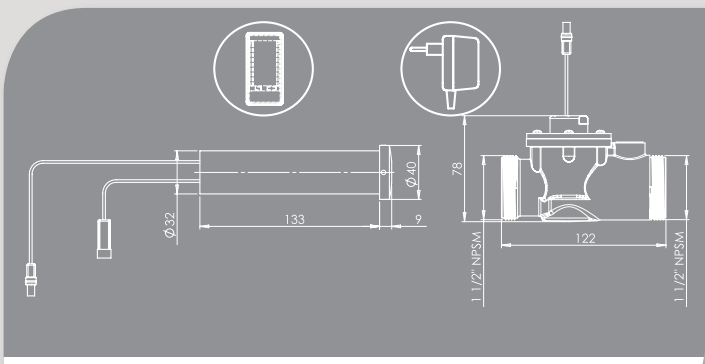
FEATURE	MODELS
Wave on-off sensor	Show sensor kit, Show sensor kit front fixation
Proximity sensor	Sense sensor kit, Sense sensor kit front fixation
Recessed	Show sensor kit, Sense sensor kit
Front Fixation	Show sensor kit front fixation, Sense sensor kit front fixation



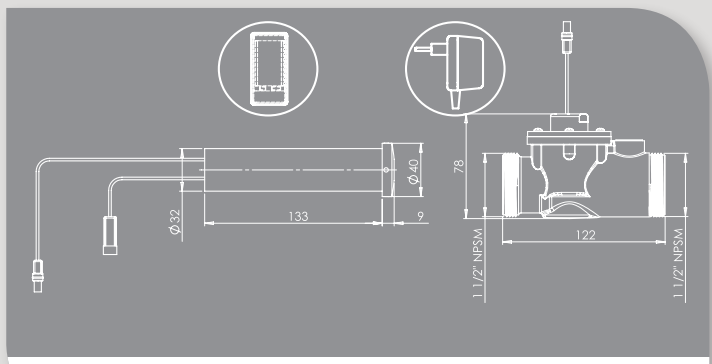
**SHOW SENSOR KIT**  
KSL00540



**SENSE SENSOR KIT**  
KSL00560



**SHOW SENSOR KIT FRONT FIXATION**  
KSL00550



**SENSE SENSOR KIT FRONT FIXATION**  
KSL00570

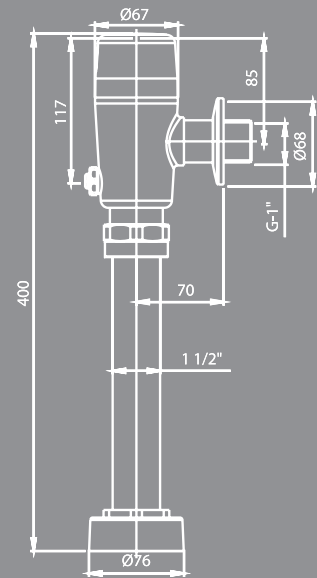


## ELECTRONIC DECK MOUNTED FAUCETS



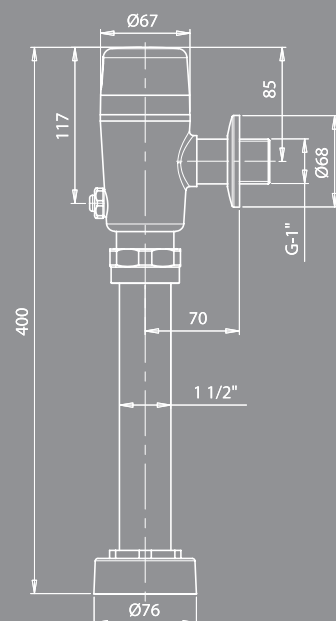
**FLAMINGO**  
KSL00530

Electronic infrared flush valve for toilet, for exposed installation. Optional automatic dual flush sensor. Includes a mechanical push button for alternative operation. Available with an internal 9V battery or a 9V transformer.



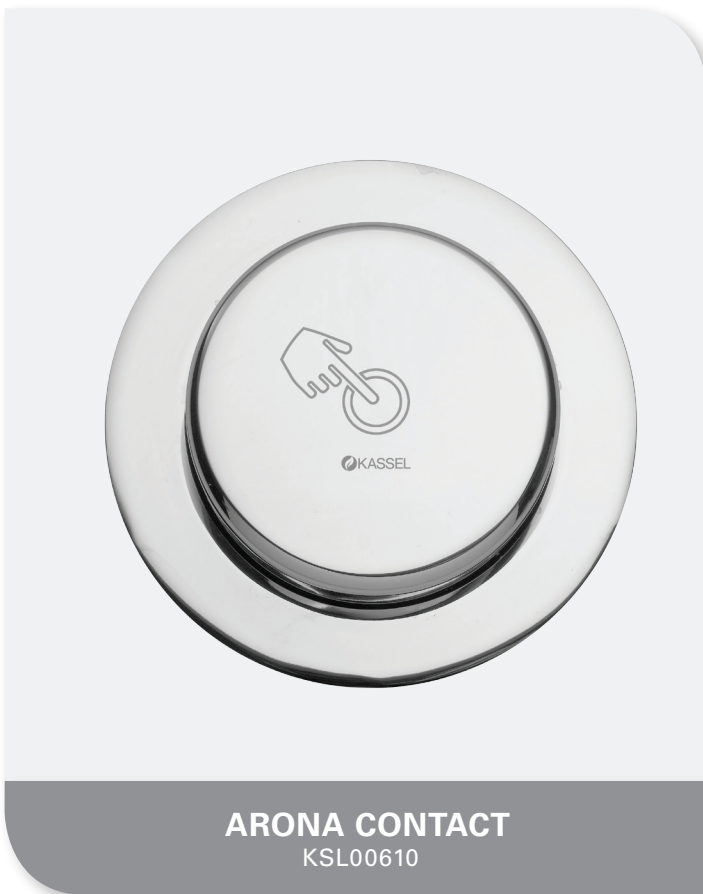
**FLAMINGO SIDE INLET**  
KSL00535

Electronic infrared flush valve for toilet, for exposed installation. With side inlet and shut off valve. Optional automatic dual flush sensor. Includes a mechanical push button for alternative operation. Available with an internal 9V battery or a 9V transformer.



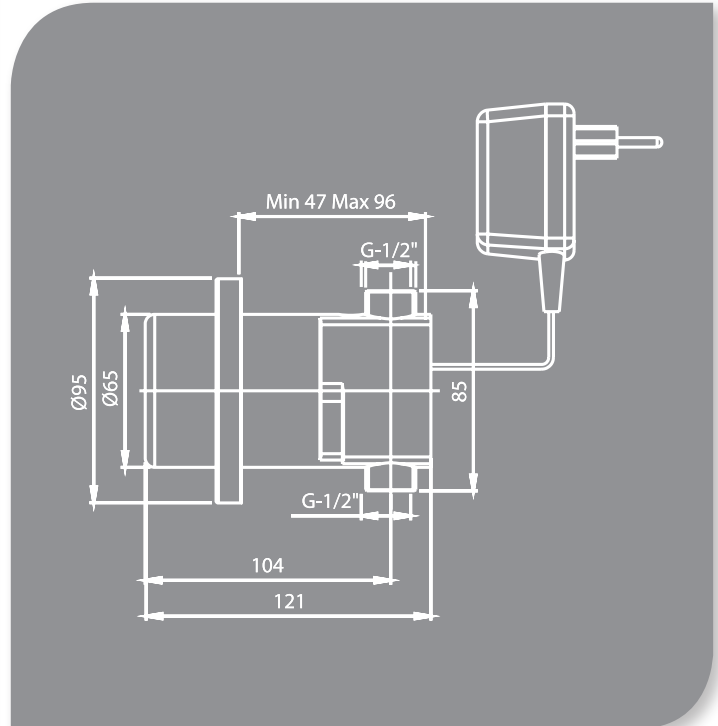


# SELF CLOSING FLUSH VALVES FOR URINAL OPERATED BY TOUCH



**ARONA CONTACT**  
KSL00610

Electronic self closing flush valve for urinal.  
Activated by touch piezoelectric technology.  
Available with a 9V transformer.



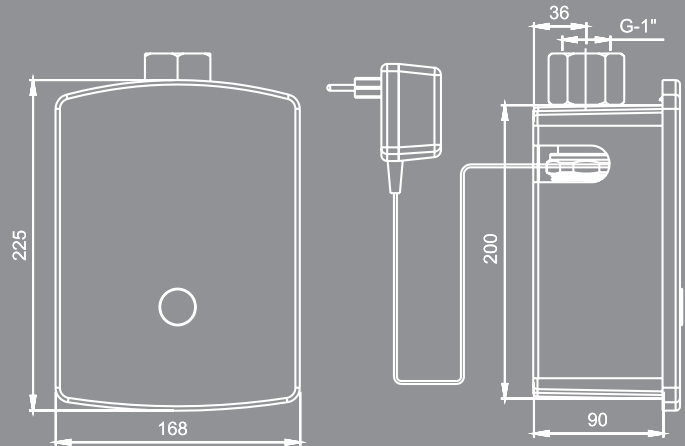


## ELECTRONIC DECK MOUNTED FAUCETS



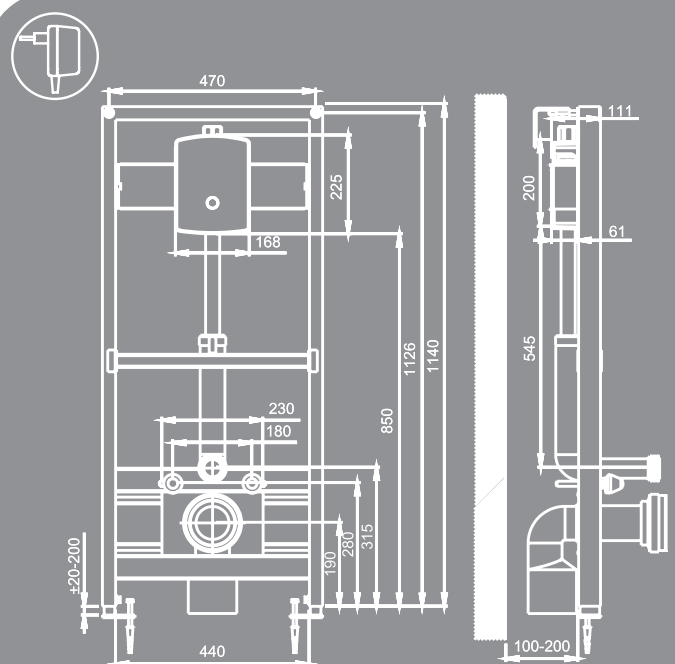
**JEREZ CONTACT**  
KSL00620

Electronic self closing flush valve for toilet. Activated by touch piezoelectric technology. For brick wall installation. Available with a 9V transformer.



**JEREZ CONTACT WITH IRON FRAME**  
KSL00621

Electronic self closing flush valve for toilet with iron frame. Activated by touch piezoelectric technology. Available with a 9V transformer.



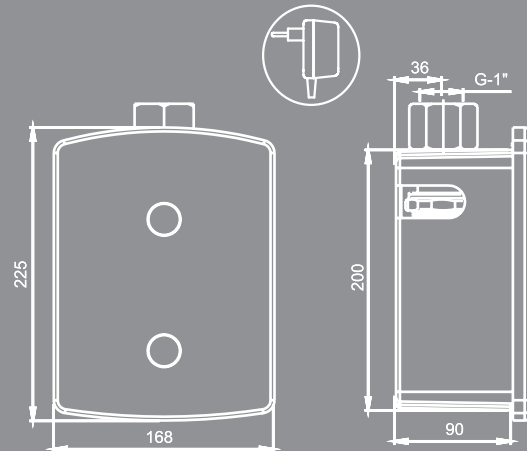


# SELF CLOSING FLUSH VALVES FOR TOILET OPERATED BY TOUCH



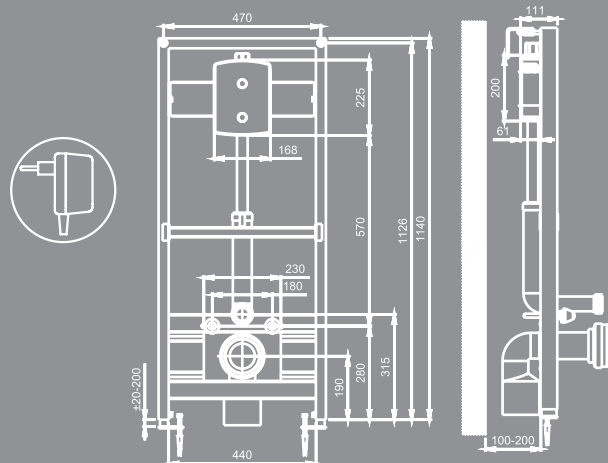
**JEREZ CONTACT DUAL FLUSH**  
KSL00630

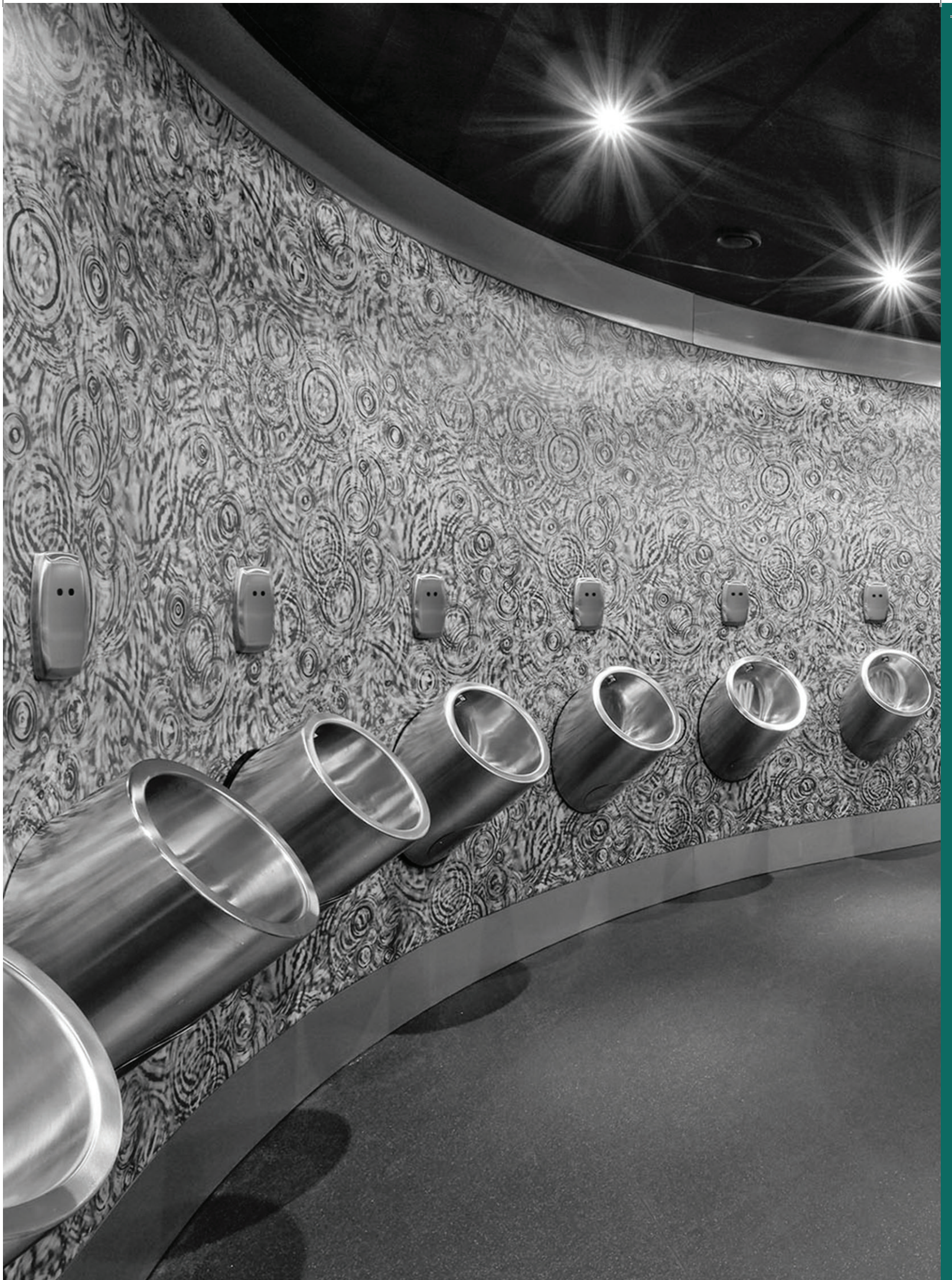
Electronic self closing flush valve for toilet. Activated by touch piezoelectric technology, with half flush (3 liters) and full flush (6 liters) buttons. For brick wall installation. Available with an internal 9V battery or a 9V transformer.



**JEREZ CONTACT DUAL FLUSH WITH IRON FRAME**  
KSL00640

Electronic self closing flush valve for toilet with iron frame. Activated by touch piezoelectric technology, with half flush (3 liters) and full flush (6 liters) buttons. Available with an internal 9V battery or a 9V transformer.





ALFARO | URINAL, SEE PAGE 37

# ELECTRONIC SHOWERS



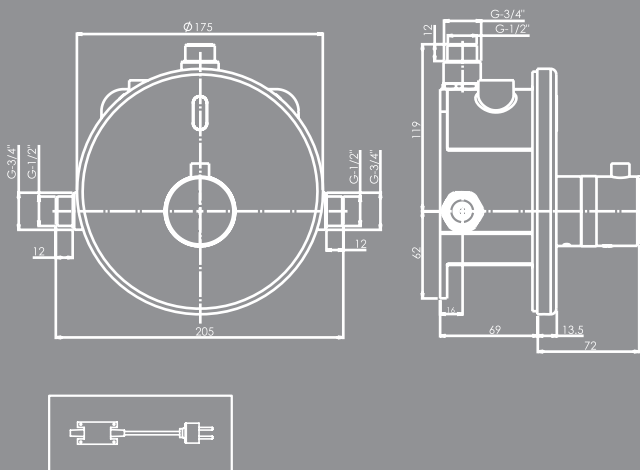


# ELECTRONIC SHOWER CONTROLS



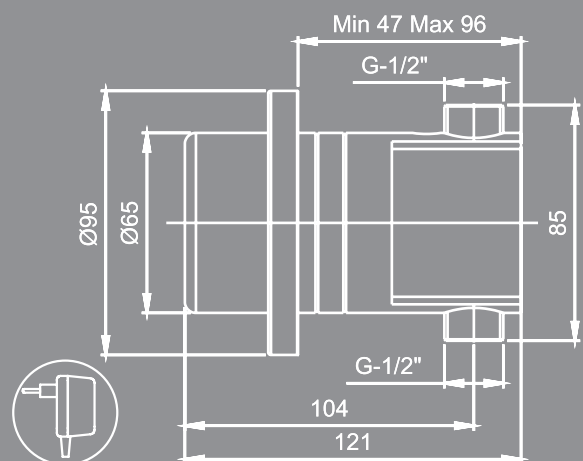
**CORELLA DÚO**  
KSL00710

Electronic shower control activated by an infrared sensor with a thermostatic mixer. Available with an internal 9V battery or an 9V transformer.



**ÁMBAR**  
KSL00720

Electronic shower control activated by an infrared sensor for cold or premixed water. Available with an internal 9V battery or a 9V transformer.

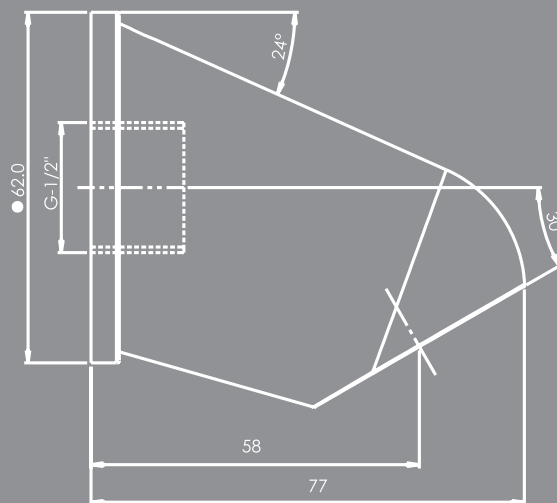






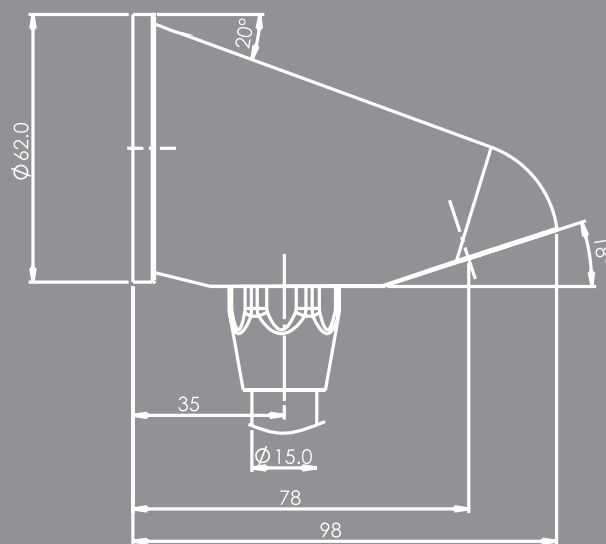
**CORELLA SH REAR INLET**  
KSL00730

Robust, vandal resistant shower head, suitable for rear inlet.



**CORELLA SH BOTTOM INLET**  
KSL00740

Robust, vandal resistant shower head, suitable for bottom inlet.



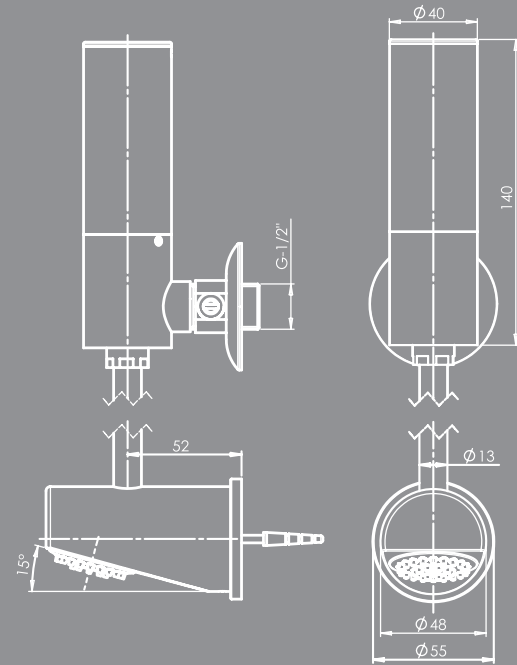


# SELF CLOSING FOOT WASHER OPERATED BY TOUCH



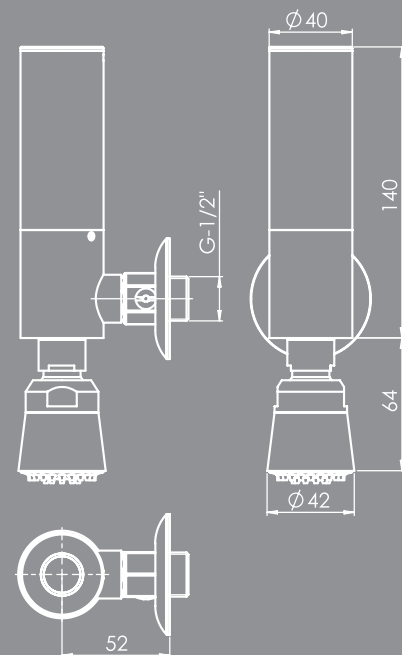
**ALCALÁ I**  
KSL00406

Electronic foot washer activated by touch piezoelectric technology. Includes an internal 9V battery.



**ALCALÁ II**  
KSL00405

Electronic foot washer activated by touch piezoelectric technology. Includes an internal 9V battery and a directional head with easy cleaning silicon nozzles.





# SELF CLOSING SHOWER PANELS OPERATED BY TOUCH



**CORELLA CONTACT SHOWER PANEL RANGE**

Electronic self-closing shower panel activated by touch piezoelectric technology. Available with an IP67 battery box or a 9V encapsulated transformer.

## FEATURE

## MODELS

One inlet - cold or premixed water

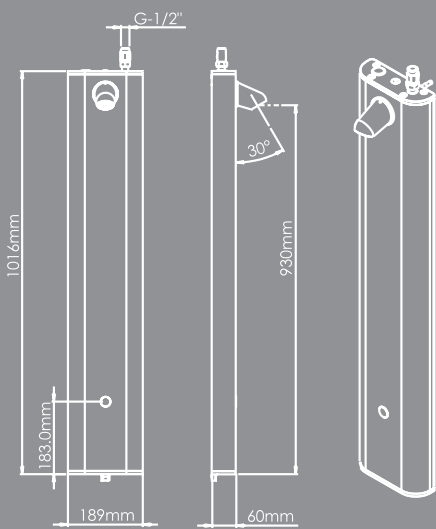
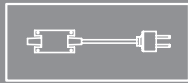
Corella contact shower panel

Two inlets - hot & cold water

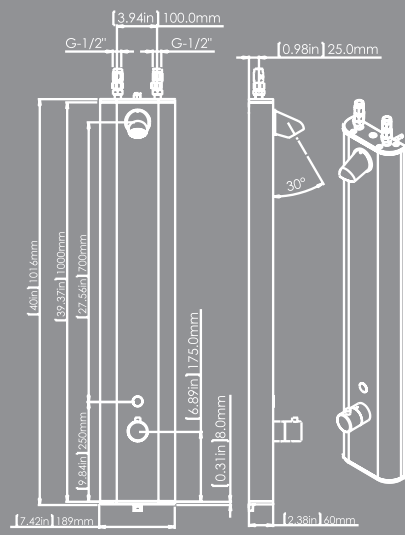
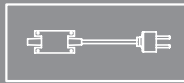
Corella contact Dúo shower panel, Corella contact Dúo teleducha shower panel

Hand shower included

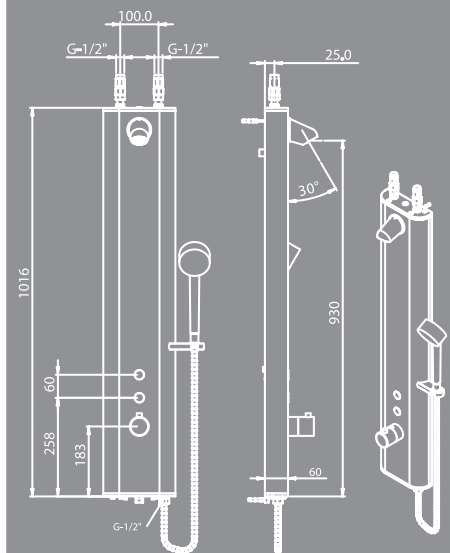
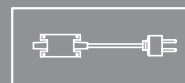
Corella contact Dúo teleducha shower panel



**CORELLA CONTACT SHOWER PANEL**  
KSL00810



**CORELLA CONTACT DÚO SHOWER PANEL**  
KSL00815



**CORELLA CONTACT DÚO TELEDUCHA SHOWER PANEL**  
KSL00816

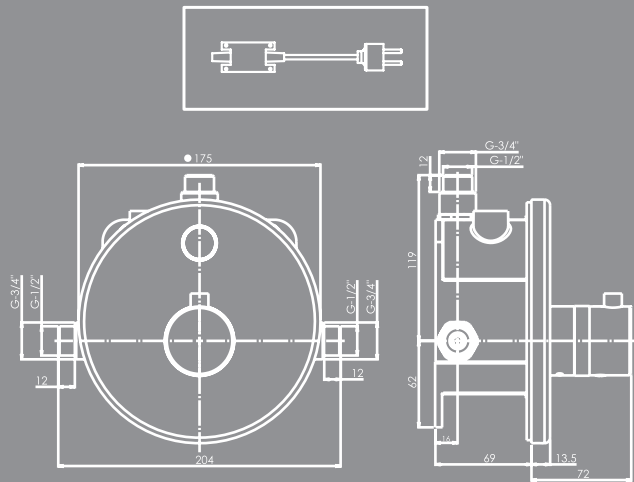


# SELF CLOSING SHOWER CONTROLS OPERATED BY TOUCH



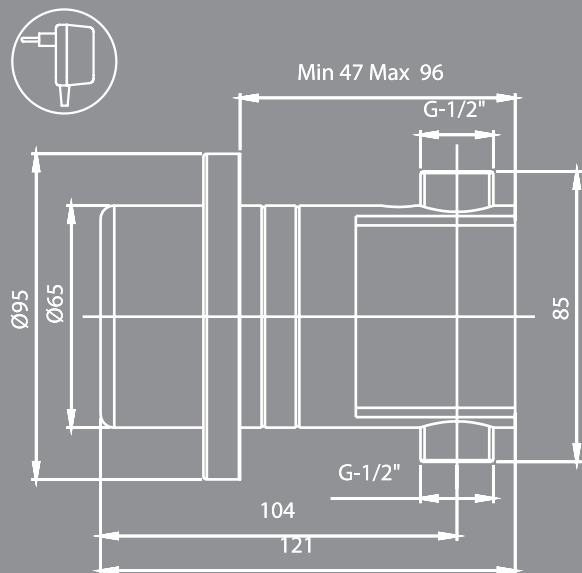
**CORELLA CONTACT DÚO**  
KSL00820

Electronic self-closing shower control with a thermostatic mixer. Activated by touch piezoelectric technology. Available with an internal 9V battery or an IP68 encapsulated transformer.



**ÁMBAR CONTACT**  
KSL00830

Electronic self-closing shower control with a thermostatic mixer. Activated by touch piezoelectric technology. Available with an internal 9V battery or a 9V transformer.



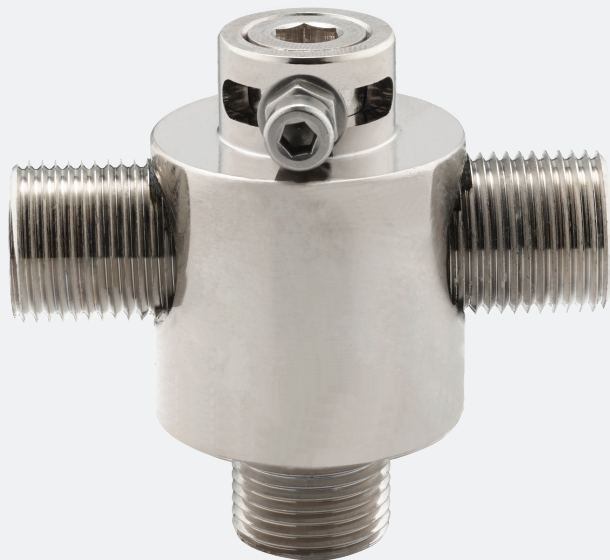
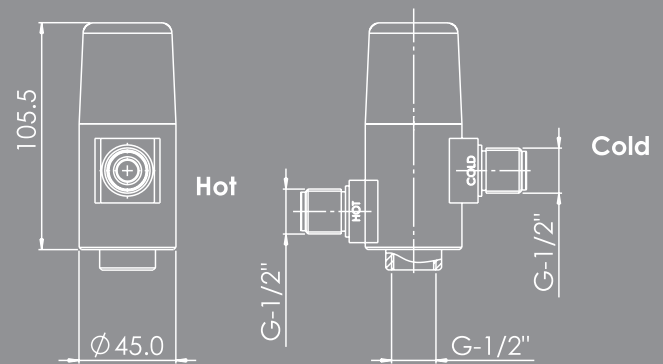
## COMPLEMENTARY PRODUCTS





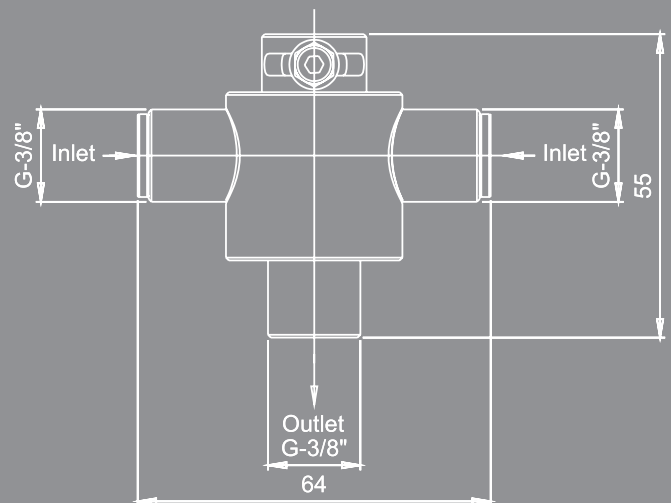
**KASSEL TMV**  
KSL01040

Thermostatic mixing valve allowing an easy adjustment of hot and cold water. Shuts the water flow if only hot water is available. Can be connected directly to the flexible pipe or to the solenoid valve housing. Includes built in filters and back check valves.



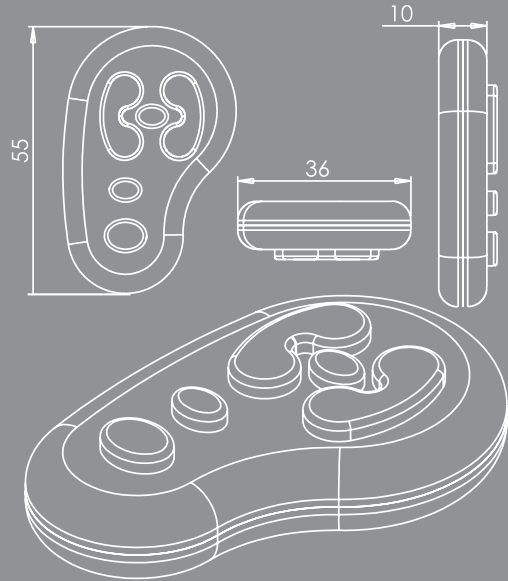
**KASSEL MMV**  
KSL01050

Mechanical mixing valve. To be used with faucets for premixed water as well as in other various applications requiring mixing of water temperature. Includes filters and non return check valves.





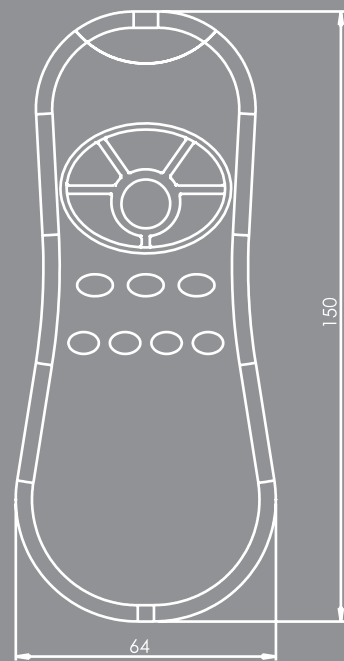
Allows changing the soap dosage, temporary turning the product off and continuous pump activation to drive the soap out of the soap dispenser spout after soap refill.



**REMOTE CONTROL  
FOR SOAP DISPENSERS**  
KSL01060



Facilitates the maintenance in extensive installations that require special sensor settings. Suitable for all Kassel infrared systems.



**REMOTE CONTROL**  
KSL01030

CUIDA DE TI, CUIDA DEL AGUA



Kassel Sanitar, S.L. Avda. de Castilla, 1  
Polígono Industrial San Fernando de Henares  
28830 Madrid, Spain  
Tel. +34 916 778 993 | Fax. +34 916 777 774  
info@kassel.es | www.kassel.es