

The *Pulsar* Simply the Best!

The St. Louis Arch depends on the Delany Pulsar to service its 4 million annual visitors. They know that it's reliable, easy to service and has the longest lasting battery and solenoid combination available on the market.



Faster to Install

Easier to Service

Most Reliable



Changing for the Better - Working to be the Best!

Delany Products
P.O. Box 411
Charlottesville, Virginia 22902
Phone: 434-296-0166 Fax: 434-977-3596
www.delanyproducts.com

The Delany *Pulsar*

Today's sensor technology, made with Delany Differences



Pulsar's minimal number of internal parts and pre-packaged assembly allows it to be installed about 50% faster than the competition, while also being easier to service. Because its made by Delany, Pulsar is completely adjustable in the field. With it's new state-of-the-art US manufactured solenoid, the Pulsar has achieved over 400,000 operations on a single battery. You could be looking at the most reliable, longest lasting sensor valve on the market.

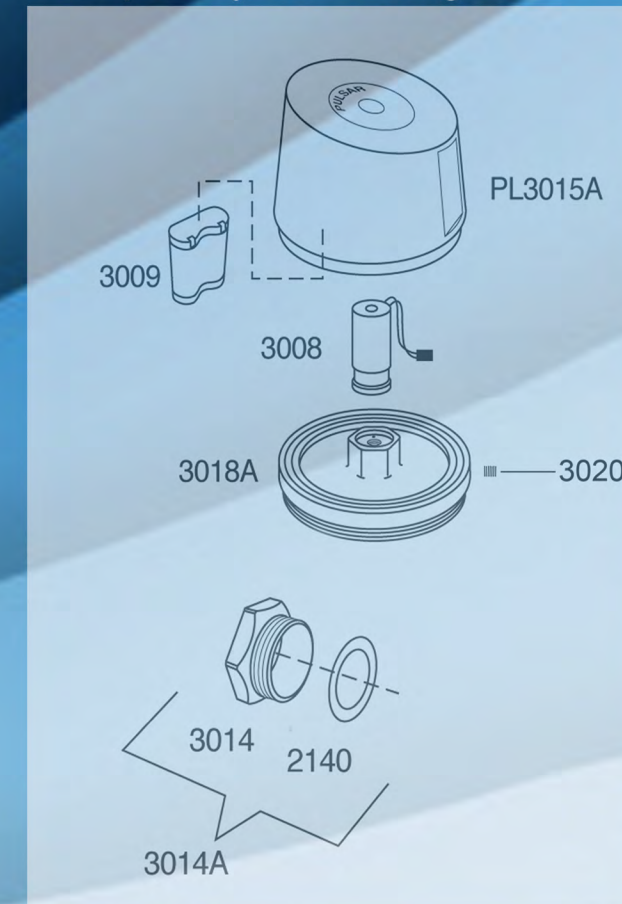
Available as Complete Valve and Retro-fit Kit for urinal or closet valves.

Valve comes completely pre-assembled and includes:

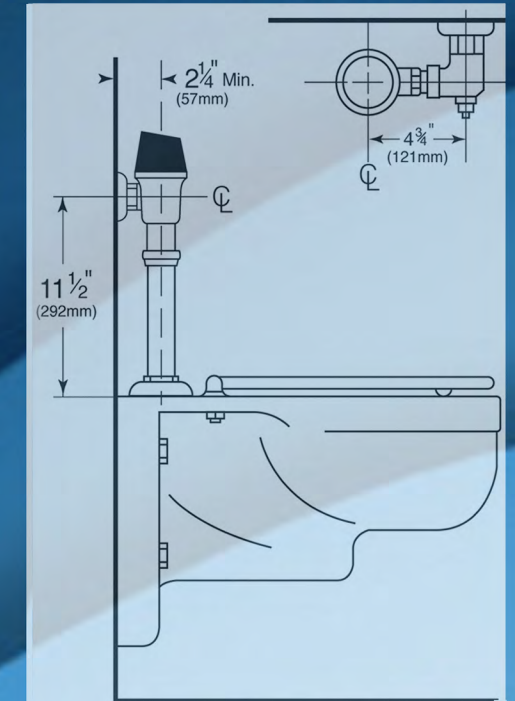
- 1 Lithium Battery with 10 year shelf-life
- USA Manufactured Electronics
- USA Manufactured Solenoid, tested up to 2 million operations
- Low Battery Indicator Light
- Electronic Override Pushbutton
- Range adjustment potentiometer
- Flush time adjustability switch
- Renewable Main Valve seat
- Blank handle nut cap
- Optional 24 hour flush
- One universal diaphragm for both water closets and urinals

Assembly only requires 3 tools, and no strap wrenches

Fewer parts =
Simplicity in Design



PL1402-1.6 Water Closet



Note: Min. roughing height 10 1/2" centerline of supply to top of fixture.

PL1451 Urinal

